

Toaster

TT-WE64A

TT-WE64B

User's Manual

TWOTHOUSAND.COM

Dear Client & User,

Thank you for choosing our products. All the information and instructions in this manual take into account standard safety regulations, current levels of technical engineering as well as the expertise and experience we have developed over the years.

If the delivery consists of a special model, the actual scope of delivery may differ from the descriptions and illustrations in this manual. This is also the case for special orders or when the device has been modified in line with new technology. Should you have any questions, please contact the manufacturer.

Please read the manual carefully before any operation, especially before starting the device. Install the machine in accordance with this manual and the local related rules.

Notice: Read the instruction manual carefully before using the device. The manufacturer does not accept liability for any damage or malfunction resulting from not following the instructions for use.

The instruction manual should be kept near the device, easily accessible for anyone wishing to work with or using it. We reserve the right to make technical changes for purposes of developing and improving the useful properties.



Warning

- ◆ Any self-modification, wrong installation, adjustment or maintenance can lead to property loss or casualty. Please contact the manufacturer for any adjustment or maintenance, and have the work done by a trained & qualified personnel.
- ◆ For your safety sake, please keep the machine away from any flammable or explosive liquid, gas and other object.
- ◆ The device is not intended for use by individuals (including children) with physical or mental disabilities, insufficient experience, and/or insufficient knowledge unless such persons are under the supervision of a person responsible for their safety or have received instructions regarding appropriate use of the device.
- ◆ Keep children away from the device.
- ◆ Preserve this manual safely. When passing on/selling the device to a third party, the manuals must be handed over along with the device. All users must operate the device complying with the user's manual and related safety guidelines.
- ◆ If this appliance is placed near walls, partitions or kitchen furniture and the like, it is advisable to make these facilities with non-combustible material, otherwise cover them with non-combustible heat-resistant material, and pay attention to fire prevention regulations.
- ◆ Do not use a power supply other than the rated voltage of the device. Before using, the device should be grounded reliably, and ensure that the grounding is tight and safe.
- ◆ Do not use hard or sharp subjects to destroy the furnace surface.

Contents

1. Functional Introduction.....	4
2. Structure Diagram & Working Principle.....	4
3. Basic Features & Parameters.....	6
4. Precautions & Recommendations.....	6
5. Using Instructions.....	8
6. Routine Check.....	8
7. Cleaning & Maintenance.....	9
8. Failure Analysis & Trouble Shooting.....	9

TWOTHOUSAND.COM

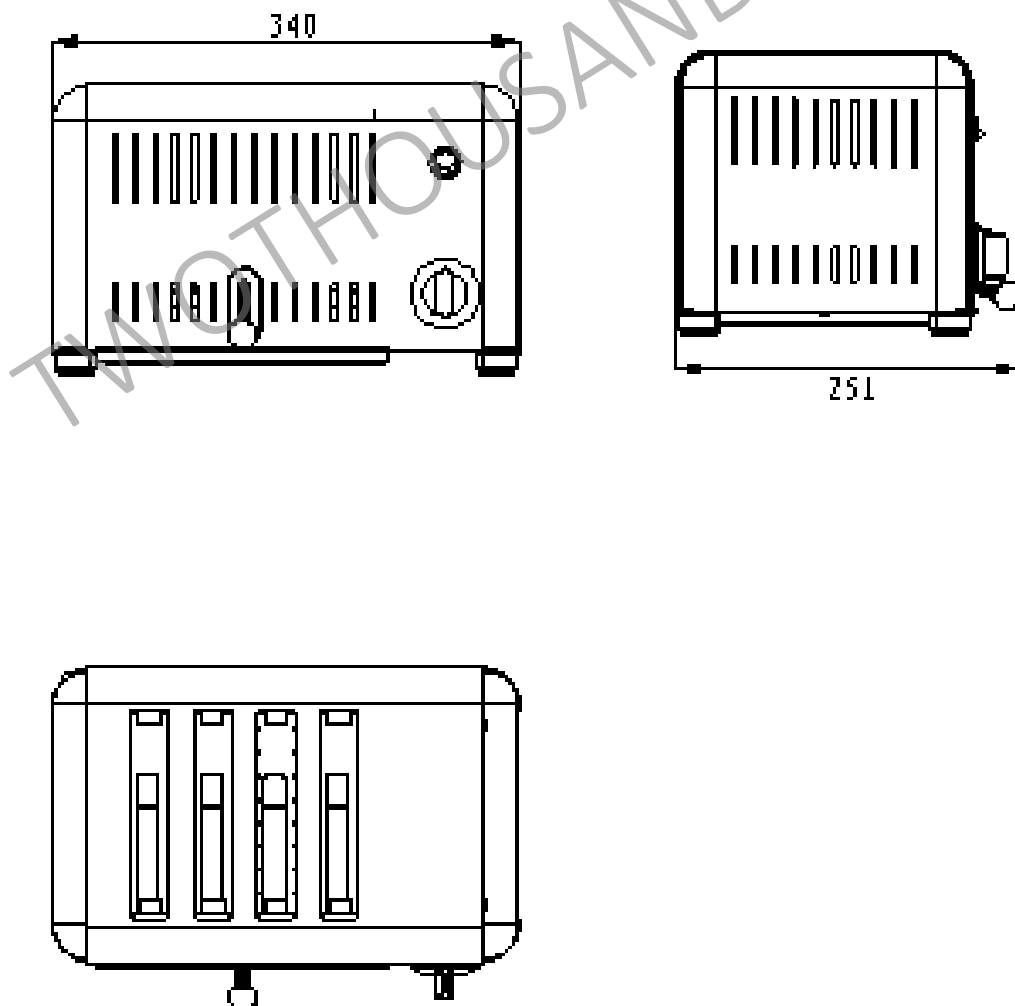
1. Functional Introduction

The toasters of model No. TT-WE64A and TT-WE64B are designed under our research & development while absorbing the advantages of similar products at home and abroad. These products are integrated with all the merits of attractive design, reasonable structure, convenient operation, all stainless steel made, sturdy and durable, as well as easy maintenance. The temperature can be regulated according to the needs of the food within certain temperature range through the thermostats, which makes them the ideal devices for hotels, supermarkets, western restaurants and other food industry.

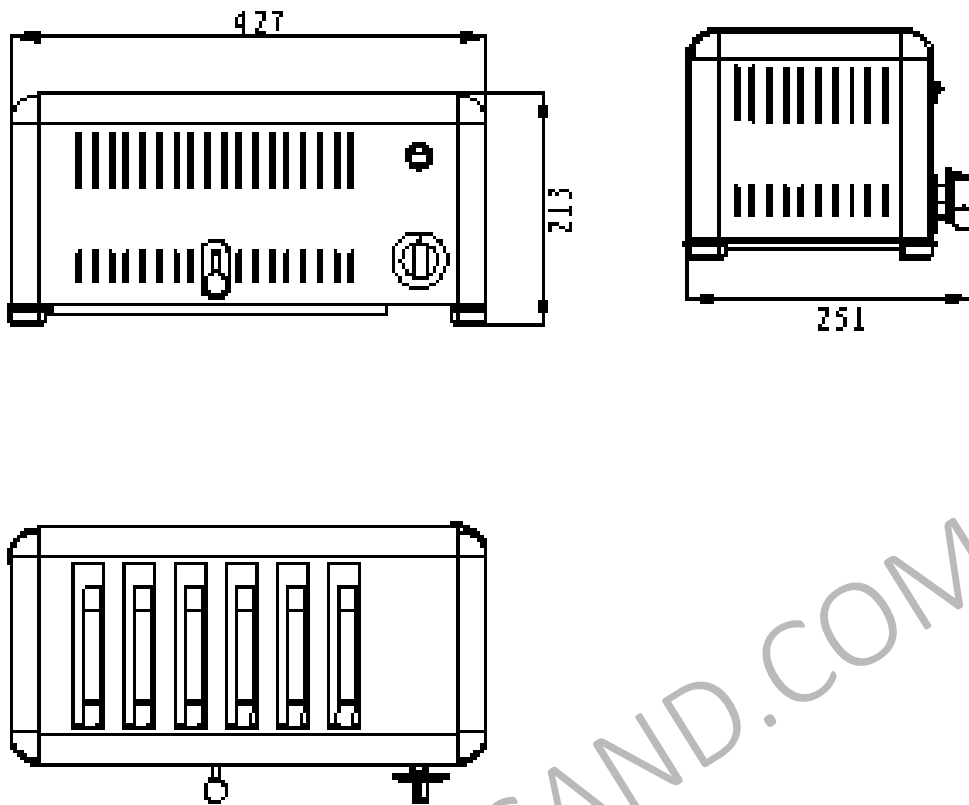
2. Structure Diagram & Working Principle

Structure Diagram:

TT-WE64A



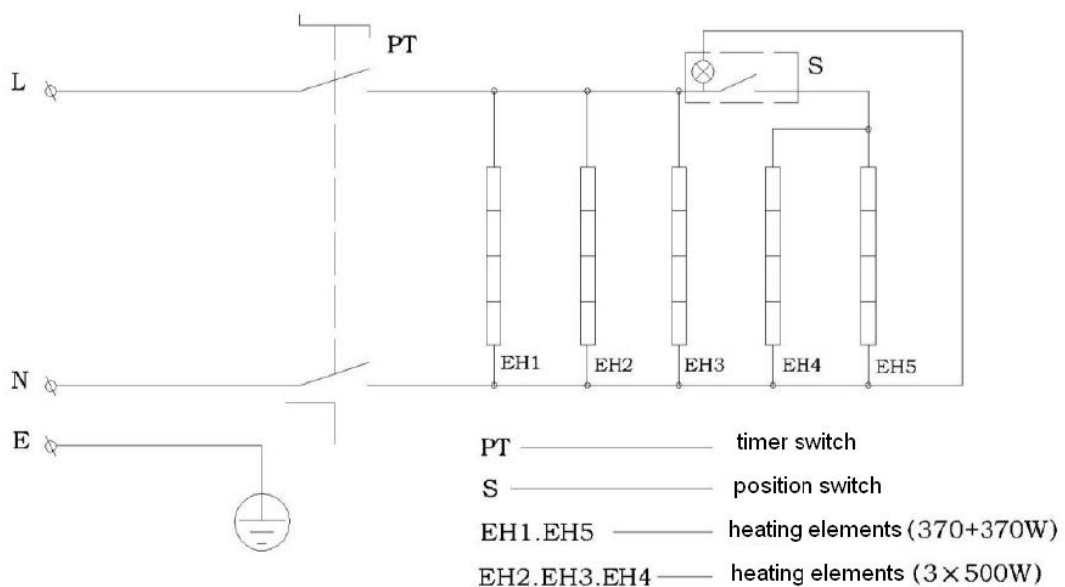
TT-WE64B



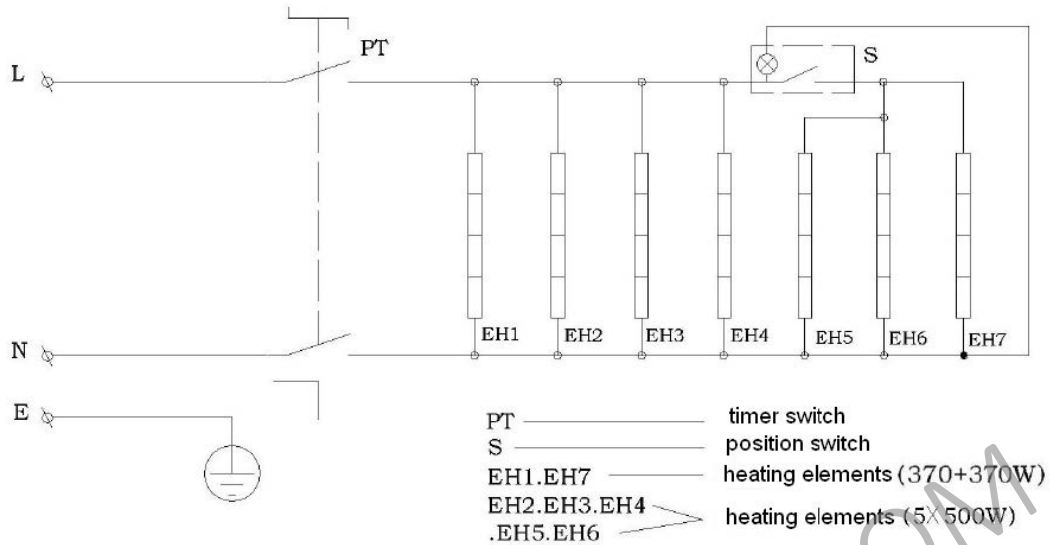
Electric Diagram:

TT-WE64A TOASTER

AC/220~240V/50~60Hz/2.24kW9.7A



TT-WE64B TOASTER
AC/220~240V/50~60Hz/3.24kW



3. Basic Features & Parameters

Model	TT-WE64A	TT-WE64B
Dimension (MM)	370x210x225	460x210x225
Power (KW)	2.24	3.24
Voltage (V)	220-240	220-240
Net weight (KG)	5	6

4. Precautions & Recommendations:

4.1 Transportation and Storage:

During transportation, please handle the appliance carefully and no upside down to prevent the damage of the enclosure and inner parts. The packaged device should be stored in a well-ventilated warehouse of no corrosive gas. Should any temporarily storage needed, please take measurement against raining.

4.2 Notice for Installment:

1. The supply voltage should be in accordance with the working voltage of the device.
2. The device is equipped with grounding bolt at the back. It shall be reliably connected to ground wire that comply with the safety regulations with copper wire no less than 1.5mm².
3. After installation, check the tightness of all the connection, the correct functioning of the voltage and the reliability of the ground wire.
4. Set the device on a flat, secure surface, and make the sides away from non-combustible material (eg. Brick walls or windows) no less than 10 cm, and the rear at least 20 cm.
5. When supplying power, the appliance must be connected to an all-pole disconnect switch (leakage switch), with at least 3mm contact opening distance of each pole of the switch. Do not pile sundries in front of the switches for convenient operation.
6. Do not set any combustible or explosive objects close to the appliance. The working ambience temperature shall be lower than 45°C and the relative humidity shall be less than 85%.
7. All the installation of this device should be done by professional and qualified personnel.

4.3 Special notes

1. The appliance is a commercial machine which is not applicable for home use and should be operated by professional personnel.
2. No shaking or tilting during using.
3. Do not dismantle or modify the device due to the possibility of serious accidents when dismantling or modifying.
4. Do not open the appliance enclosure. The appliance contains high pressure electric circuit, electric shock may occur when dismantling the frame.
5. Unscrew the plug and cut off the power when cleaning.
6. Do not spray water directly to the product when cleaning. Water can conduct electricity, thus electric leakage may cause electric shock.
7. Do not pat the product and put heavy object onto the product.
8. Abnormal operation may cause damage and danger.
9. Do not touch the appliance directly with hand due to high temperature during or after the operation. High temperature may cause scald.
10. When the thunderstorm is coming, cut off the power supply asap to avoid damage done by the lighting stroke.
11. Do not destroy the control panel with hard or sharp objects.
12. After working, cut off the power supply.
13. All the maintenance work should be done by qualified personnel, otherwise it would be dangerous for any other people to conduct maintenance.

14. If the supply cord is damaged, it should be substituted by the oil-resistant flexible sheathed cable YZW (No.57 of GB/T 5013.1 (IEC 60245, IDT)) or special sets purchased from the manufacturer or its maintenance department and the substitution work should be done by the manufacturer, its maintenance department or similar professional personnel.

5. Using Instructions

1. Before using, check the correctness of the power supply installation and ensure that the supply voltage comply with the furnace working voltage.
2. The working selection switch is printed with the symbol of [— =]. When the switch is press down the [—] position, only half of the insert slots will work, and when the switch is pressed down to the [=] position, all the insert slots will work.
3. When using, the plug shall be connected to the receptacle with same voltage as rated of the device. Then adjust the working selection switch as you need, put the bread into the relative slots, and rotate the timer switch clockwise to set the baking time. When the set time is up, you can hear a buzzer sound, that means the heating is done, and the bread will be bounced up by press down the bread taking out switch.
4. Bread scraps would fall into the crumb tray automatically during the bread heating period. The leftover shall be disposed of timely to keep the tray clean and healthy.
5. The bread to be heated should not be smaller than half of the whole piece, otherwise it would be difficult to take out the bread.
6. Stop using if it malfunctions during operation.
7. Do not touch the device body to avoid burnings during cooking.
8. The device would be still hot for a while after operation, so do not touch any of the heating elements in the device.

6. Routine Check

It is necessary to check the machine daily.

Check the machine regularly can avoid serious accident happens.

Stop using if user feels that there are some problems in the circuit or machine.

Check the appliance every time before and after using:

Before using: Whether the machine is tilted?

Whether the control panel is damaged?

Whether the power cord is aged, broken or damaged?

During using: whether there is strange smell, odour or vibration noise?

Whether the temperature is out of control or there is electric leakage?

Whether the power is normal?

7. Cleaning and Maintenance

1. Disconnect the power supply before cleaning the appliance in case of any electric shock accidents.
2. After working, take out the food tray to clean. The device body shall be cleaned with dry cloth. To avoid safety accidents of electricity caused by water penetrated into the device, do not immerse the body completely into water for cleaning, nor clean it directly with water jet.
3. Turn off the power and unscrew the plug when stop using.
4. If not going to use the appliance for a long time, please clean it completely and store it in a well-ventilated warehouse with no corrosive gas.

8. Failure Analysis & Trouble Shooting

When conducting out the failure check & trouble shooting, make sure the device is cut off from the power supply connection.

Stop using immediately when you find out the heating elements are damaged.

Symptoms	Causes	Solutions
Do not work	<ol style="list-style-type: none">1. power supply is not connected2. timer has not been set yet	<ol style="list-style-type: none">1. connect the power supply2. rotate the timer to set the baking time
Half of it do not work	<ol style="list-style-type: none">1. the switch is not turned to the [=] position2. the switch is broken	<ol style="list-style-type: none">1. turn the switch to the [=] position2. replace it with a same kind switch
The leakage protection device trips	<ol style="list-style-type: none">1. electricity leakage of component	<ol style="list-style-type: none">1. stop using and call for repair

Aforementioned troubles are just for reference. If any failure occurs, please stop using, and inform the professional technicians to check and repair.