

DOUBLE MILK SHAKE MIXER

Operating Guide

CONTENTS

- I. Machine Partly Illustration
- II. Parts List
- III. Character
- IV. Technical Specification
- V. Warning
- VI. Store
- VII. Electronic Drawing

The product is executed standards of GB4706.38-2003.

Note: Please saving the manual carefully for checking.

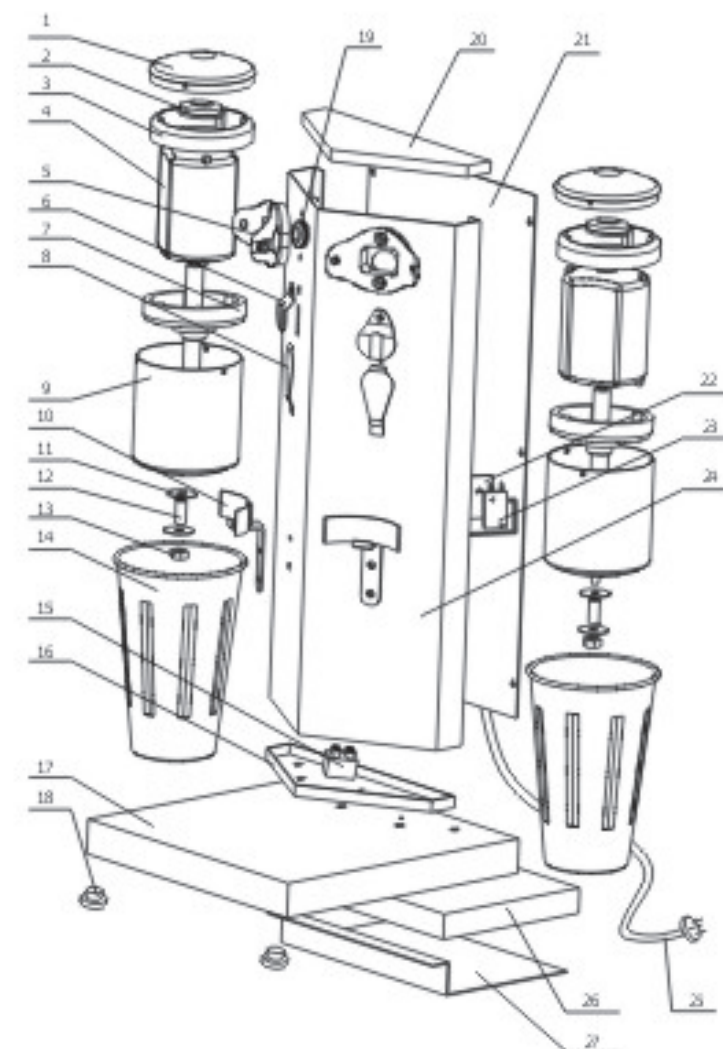
V. WARNING

1. Make sure your local power is AC220V -240V 50Hz.
2. The appliance must be placed levelly on the place where is good ventilation.
3. First turn on the power. The appliance begin to work as soon as the cup is put up.
4. The stir axle avoid collision, so that prevent it curved and deformation
5. Please do not fix food over 2/3 volume of the cup.
6. In order to pledge safe, please connect ground wire.

VI STORE

If the appliance would not to use for a long time, unplug to prevent any hazard.

1. Machine Illustration Diagram:



Drawing 1

II. Parts List:

Items	Parte Number	Description	Remark
1	CS-DN-0001	Topper	
2	CS-DN-0002	Rubber Plant 1	
3	CS-DN-0003	Rubber Plant 2	
4	CS-DN-0004	Motor	
5	CS-DN-0011	Fixed	
6	CS-DN-0013	Clip Board	
7	CS-DN-0005	Rubber Plant 3	
8	CS-DN-0014	Spring Board	
9	CS-DN-0006	Electricity Machine Shell	
10	CS-DN-0017	Bracket	
11	CS-DN-0007	Impeller	
12	CS-DN-0008	Isolator	
13		Nut	
14	CS-DN-0009	Butter Cup	
15		Conjunction	
16	CS-SN-0019	Jam Board 2	
17	CS-SN-0020	Base	
18	CS-DN-0023	Under Support	
19	CS-DN-0012	Airproofed Pad	
20	CS-SN-0010	Jam Board 1	
21	CS-SN-0015	Backboard	
22	CS-DN-0018	Fixed Board	
23		Sensitive On-Off	
24	CS-SN-0016	Standing Post	
25		Electrical Source Line	
26	CS-SN-0021	Supplement	
27	CS-SN-0022	Bottom Board	

III. CHARACTER

The Double Milk Shake Mixer is new series product of our company. It's a special purpose electric enging of making milk—one of high quality food. This applian- ce can auto-turn, when you put up the cup, and put down the cup it auto-turn -off. The Milk shaker practical apply to the café and the bar and the fast food restaurant.

IV. Technical Specification:

Description	Unit	Parameter
Input Power	W	180
Rated Frequency	Hz	50/60
Rated Voltage	V	220/240
Weight	Kg	11.5
Dimension	mm	230x230x520

VII. Electronic Drawing:

