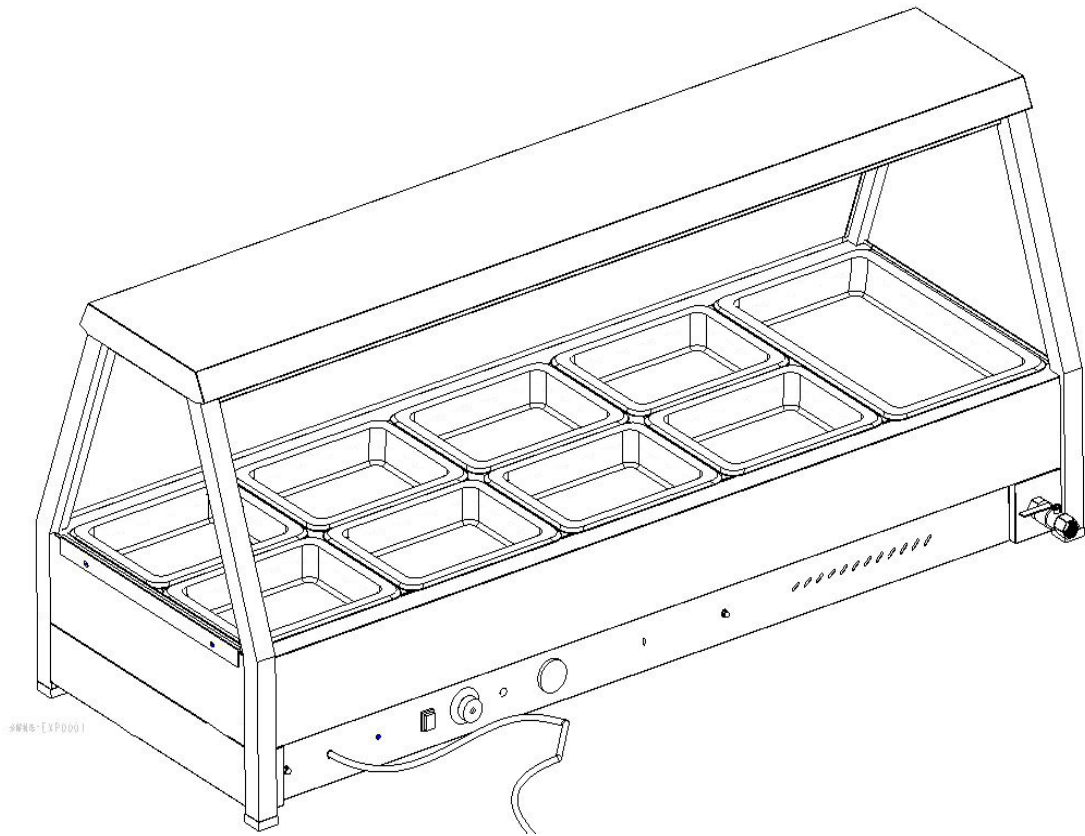
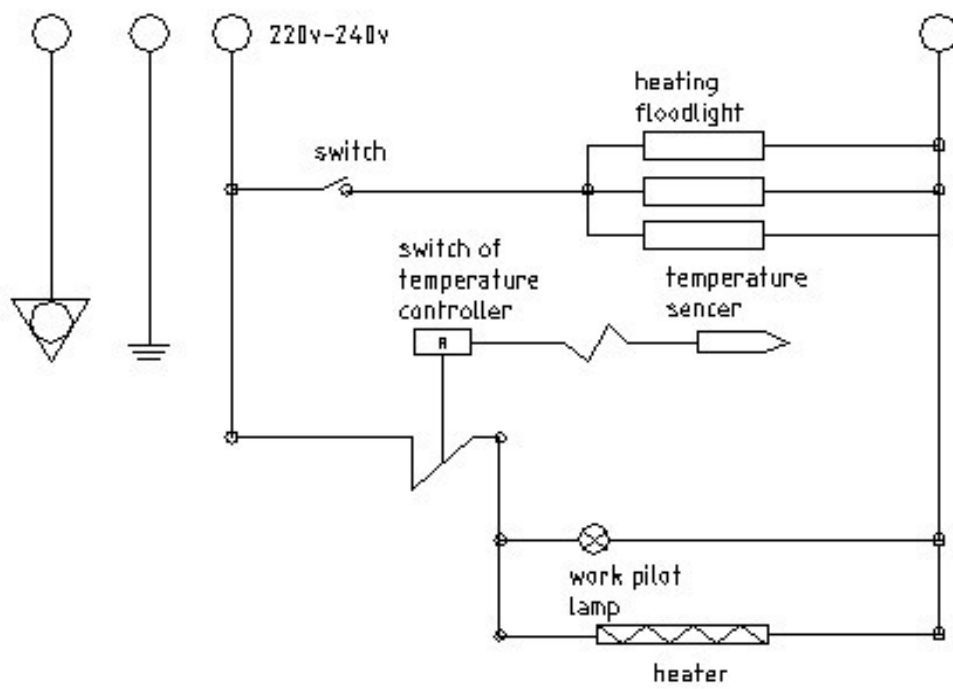


HOT FOOD DISPLAY

User Manual



hot food display circuit diagram



1. Power supply with single-phase 220V-240V, 750W-15KW
2. put up the power line (220V-240V single-phase), leakage protection switch must been installed, make sure quality of earth wire are reliable
3. control section include one starting switch one thermoregulator,one pilot lamp,it is working when green lamp on,keep temperature of water 40-100°C
4. add enough water before use,turn on power switch,then adjust the temperture(50-70°C).when temperature up to range you set,it turn off automatically .when the temperature get down ,it turn on automatically .
5. In order to extending the operating life, long time stop using, please drain away the water,clean the water tank and heater regularly
6. Load of Power capacity, transmission line, and switch should be greater than rated load, make sure earth wire has already plug in, then install switch.
7. Keep electrical components dry,check it regularly to make sure all electrical components firm
8. check water level of water tank regularly, the heater should be submerged (at least 40mm) before power on.

MODEL	VOLTAGE	POWER
TT-WE1271A	220V-240V	1.5kw
TT-WE1271B	220V-240V	1.5kw
TT-WE1271C	220V-240V	2kw
TT-WE1271D	220V-240V	2kw
TT-WE1271E	220V-240V	2kw