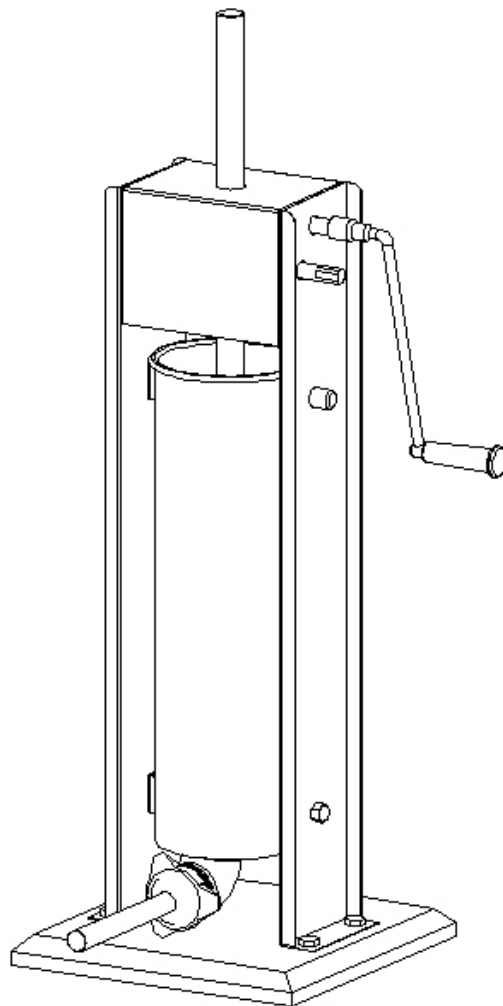


Vertical Sausage Stuffer User Manual

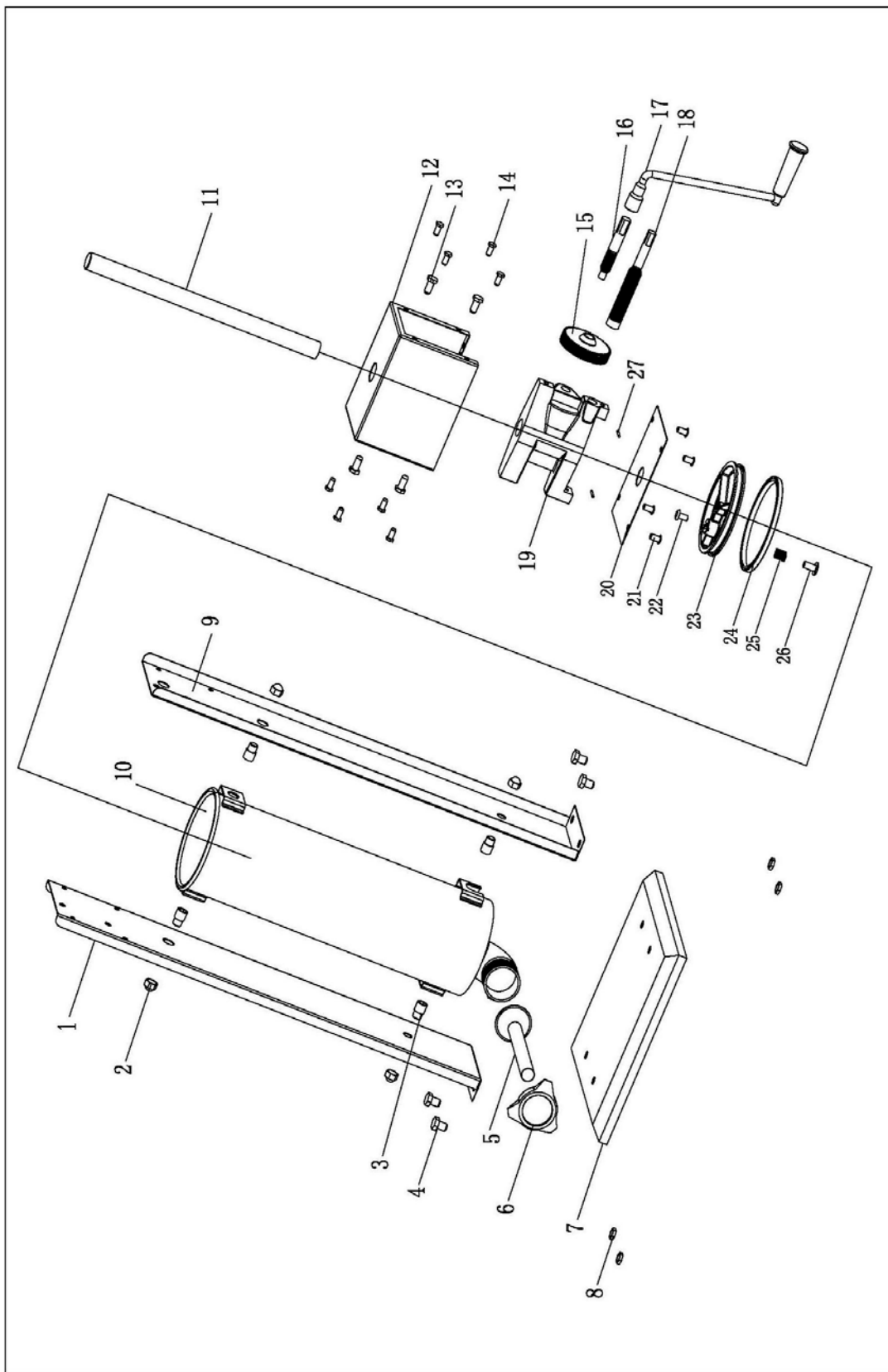
Vertical Sausage stuffer
Instruction
TT-F83A



I. Brief introduction:

Full stainless steel construction, vertical design, long service life, it has a new, gearing system, which enables the user to release the plunger for really quick and easy re-filling. It is ideal for the home sausage maker or restaurant wanting to make a Gourmet sausage; with 4 specifications stainless steel making tube, easy clean and two level speeds for powerful pushing and quick lifting.

II. Structure and Part name:



SN	Code	Name	Quantity	Remark
----	------	------	----------	--------

1	612001001	Left plate	1	3L = 480 5L=600 7L=740
2	612001002	Canopy Nut	4	
3	612001003	Inner hexangular nut	4	
4	612001004	Stainless steel screw	4	
5	612001005	Funnel	4	
6	612001006	Triagonal nut	1	
7	612001007	Board	1	3L = 220 5L=260 7L=300
8	612001008	Stainless steel nut	4	
9	612001009	Right plate	1	3L = 480 5L=600 7L=740
10	612001010	Stainless steel stuff tube	1	3L = 200 5L=320 7L=460
11	612001011	Rack	1	3L = 380 5L=500 7L=640
12	612001012	Shell of Gear base	1	
13	612001013	Hexangular Bolt	4	
14	612001014	Stainless steel crossing bolt	8	
15	612001015	Gear	1	
16	612001016	Axle of small gear	1	
17	612001017	Handle	1	
18	612001018	Axle of big gear	1	
19	612001019	Gear base	1	
20	612001020	Bottom board	1	
21	612001021	Stainless steel crossing bolt	4	
22	612001022	Stainless steel crossing bolt	1	
23	612001023	Pistol	1	
24	612001024	Pistol rubber band	1	
25	612001025	Spring	1	
26	612001026	Vent pin	1	
27	612001027	Elastic pin	2	

III. Operation:

- 1) Wash the Parts which contact with the food clearly, arranges the funnel and the make the casing link on the funnel.
- 2) Put the handle in Big gear-axle turn it clockwise to make the pistol out of the cylinder.
- 3) Pull out the cylinder add material into it; Put the cylinder back again
- 4) Fix the handle in small gear- axle turn it clockwise to make the pistol into the cylinder
- 5) Turn the handle material will be in the casing do it constantly until the material is used up.
- 6) Do operation 2 again.

IV. Repair and maintenance

- 1) Take off the cylinder and pistol after using and wash them clearly
- 2) Wipe the body with cloth
- 3) Before using and during operating add oil to the gear stand big gear and small gear and rack twice.