

OPERATION MANUAL

INDEX

WARNING.....	1-1
INSTALLATION.....	1-2
HOW TO USE.....	2-3
USEFUL INFORMATON.....	3-4
TECHNICAL SPECIFICATIONS.....	5-6
OPERATING FIGURES.....	7-8
TROUBLE SHOOTINGS.....	9-9
STRUCTURE DIAGRAM.....	10-10

WARNING:

1. This instruction manual is an integral part of the machine and must be kept for any further consultation.
2. This machine is a cold drink dispenser.
3. This machine should be used only for the purpose for which it was designed. Any other use is inappropriate and therefore dangerous. The manufacturer will not be held responsible for any damage caused by improper use.
4. Before installing and operating on the machine read carefully this operation manual.
5. Basic safety rules:
 - a. do not touch the machine when hands or feet are wet
 - b. do not use the machine when barefooted
 - c. do not allow the machine to be used by children or untrained persons
 - d. do not leave the machine outside
 - e. do not pull on the electrical cord when unplugging the machine.The company reserves the right to modify the construction or appearance without notice.

INSTALLATION:

Useful instruction for transport

1. In order to prevent the oil contained in the hermetic compressor from flowing into the cooling circuit, it is necessary to always carry, store and handle the machine in a vertical position, following the instructions found on the packaging.
2. If the machine was accidentally or purposely placed in a non-vertical position during transport, before operating the machine, it should be kept in a straight position for approximately 30 minutes, to allow the oil to flow back into the compressor.

Unpacking: Remove cardboard and plastic covering. Make sure that the machine has not been damaged. Remove the plastic film from all the stainless steel panels (if has).

Important: The various packaging should be kept from children since they are potentially dangerous.

Positioning (FIG.1)

Place machine on a horizontal and sturdy surface. For a good ventilation, keep a distance of 20cm(7 inches),between unit and walls or other objects. Increase the distance if the obstacles are a heating source. When the dispenser is in place,adjust the legs in order to keep it level.

Electrical connection

Before inserting the plug into the electrical socket,carefully read the following precautions:

- a. make sure that the machine is properly connected to an efficient grounding system,in compliance with current safety standards.
- b. make sure that the voltage is in accordance with what indicated on the "serial number" label applied on the chassis.
- c. The current available is sufficient for the maximum required by the machine.
- d. If necessary,use only approved multiple outlets,in compliance with current safety standards

If in doubt,consult only specialized technicians.

By law,the machine must always be grounded.

HOW TO USE:

Before use,the dispenser should be cleaned carefully as it comes into contact with drinks:

Refilling

For a correct usage of the machine ensure that the liquid level into the bowl does not go below 3-4Lt.

- a. Before filling up the container make sure to remove the power plug.
- b. Mix product in a separate container (FIG.2)
- c. Do not fill the container with hot product
- d. Do not overtake the MAX level line (FIG.3)

Functioning (FIG.4)

- a. Make sure that the main switch (A) is in the [OFF]position,plug in the machine.
- b. Before starting the machine,ensure that the bowls are properly closed with their covers.
- c. Turn the main switch to [ON]position,the condensing unit will automatically start.
- d. To start the mixing action,turn to [ON] position the mixing system switch (B) . There is a switch for each bowl.
- e. To pour drink out,press lightly the drinking glass against lever.

Beverage Temperature Adjustment (FIG.8)

1. Every dispenser has been tested and the thermostat has been set at +5°C temperature.
2. To adjust this temperature,
Lift up the plastic cover and turn the thermostat knob clockwise to set a lower temperature.

CAUTION

**Before adjusting temperature,always remove the power plug
You are suggested not to reset the temperature controller frequently.**

USEFUL INFORMATION:

For health standard and good quality of beverages,clean bowls ,lids and the mixing paddles as often as possible.

Cautions

- a. Before carrying out cleaning and refilling,remove the power plug.
- b. Do not use abrasive powders that might impair bowls and lid's shine.
- c. Use neutral soap and a little warm water to wash container,lid,mixing paddles/pump,refrigerator tank and tap. Rinse carefully with water in order to remove any residual of soap.
- d. To maintain a high standard of flavor,leave the dispenser turned on night and day in order to avoid deposit.
- e. If the dispenser is out of use for a long time,remove the power plug and clean carefully all parts. Keep the dispenser away from dust and cover it with a plastic sheet.

Servicing

Dispenser servicing is very simple. After disconnecting the dispenser,remove panels and clean inside parts,especially condenser fins,with a brush. (FIG.7)
Dust reduces the performance of the machine, so clean at least once a month.

DISASSEMBLING AND ASSEMBLING:

- a. Disconnect the unit by removing the plug.
 - b. Lift lid off.
 - c. Pull mixing paddle off. For the pump disassembling follow the instructions reported on the **(Fig.5&6)**
 - d. Lift container with both hands by a light, swinging motion. Should you have difficulty it is necessary to wet stainless steel refrigerator and gasket,
 - e. To remove water tray, lift it from its setting.
 - f. To disassemble back and side panels loosen the screws under the unit, pushing up then unlatch.
 - g. To disassemble front panel loosen side screws.
- To reassemble the unit, repeat the above operations in reverse.

MAINTANCE AND SERVICE:

Any necessary repairs to the machine should be undertaken exclusively by an authorized repair center, using original replacement parts.

The electrical cord should not be replaced by the user.

When the machine is no longer in use, it is recommended that it be made inoperable by unplugging the machine and cutting the electrical cord.

TECHNICAL SPECIFICATIONS:

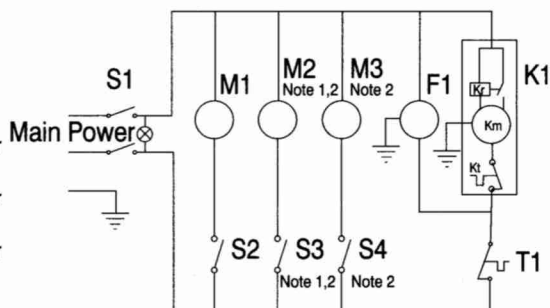
	Models	Bowls	Capacity	Gas	Dimensions L x W x H	Weight
COROLLA LINE	TT-J50A	1	1 x 12L	R134a	220 x 450 x 635cm	19.00 kgs
	TT-J50B	2	2 x 12L	R134a	420 x 450 x 635cm	26.50 kgs
	TT-J50C	3	3 x 12L	R134a	620 x 450 x 635cm	33.50 kgs
ROYAL LINE	TT-J51A	1	1 x 12L	R134a	220 x 450 x 635cm	19.00 kgs
	TT-J51B	2	2 x 12L	R134a	420 x 450 x 635cm	26.50 kgs
	TT-J51C	3	3 x 12L	R134a	620 x 450 x 635cm	33.50 kgs

The technical features of the dispenser (Volt, Hertz, Watt, type of refrigerant) are reported on the serial number label.

Corolla-2S TT-J50B

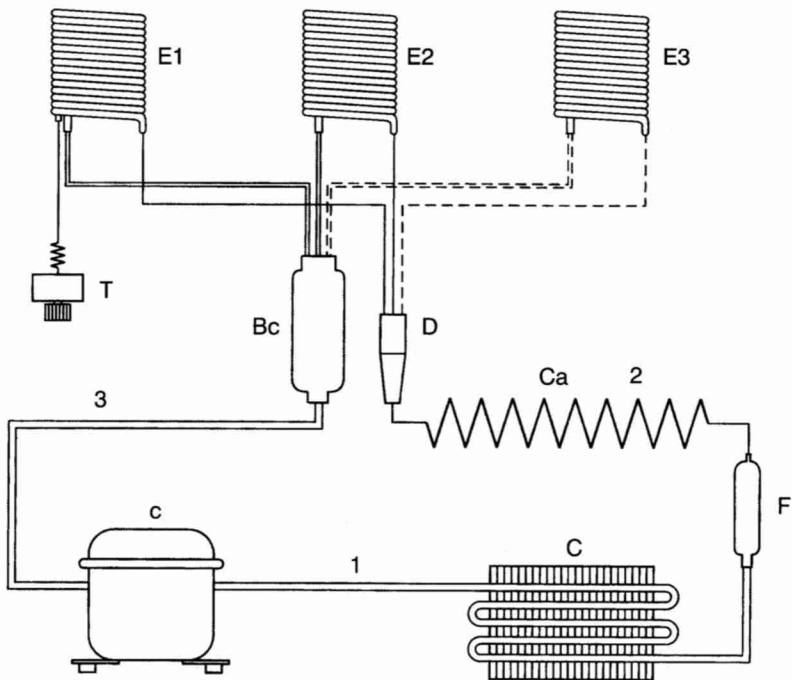
ELECTRIC WIRING DIAGRAM

ITEMS	MODELS
	TT-J50A
	TT-J50B
	TT-J50C
	TT-J51A
	TT-J51B
	TT-J51C
S1	Main Switch
M1	Mixer/Pump Motor
S2	Switch
M2(see Note 1,2)	Mixer/Pump Motor
S3(see Note 1,2)	Switch
M3(see Note 2)	Mixer/Pump Motor
S4(see Note 2)	Switch
F1	Fan
T1	Thermostat
K1	Compressor
Kr	Relay
Km	Electric Motor
Kt	Thermal Prot.



Note 1 = Only for TT-J50B TT-J51B

Note 2 = Only for TT-J50C TT-J51C



LEGEND

c	Compressor
C	Condenser
F	Filter
Bc	Boiler
E1	Evaporator
E2	Evaporator
E3	Evaporator
D	Distributor
Ca	Capillary coils
1	High Pressure Side
2	Liquid Line
3	Low Pressure Side
T	Thermostat

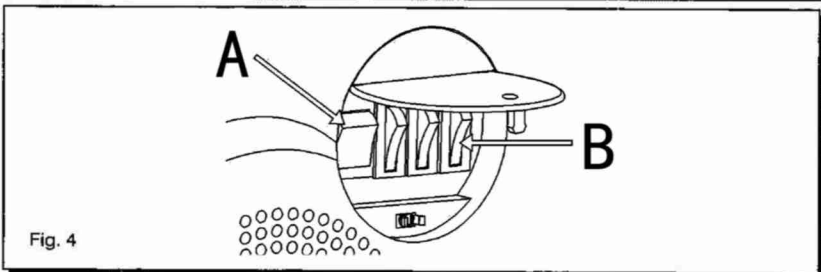
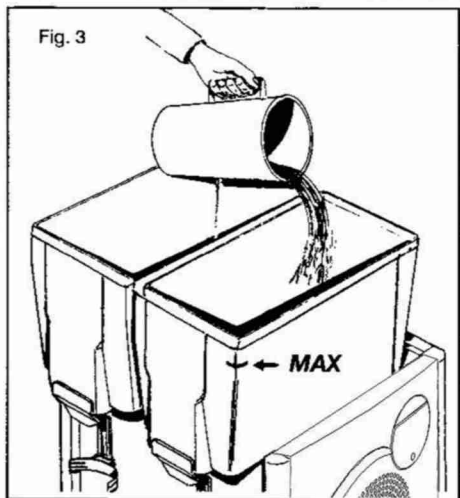
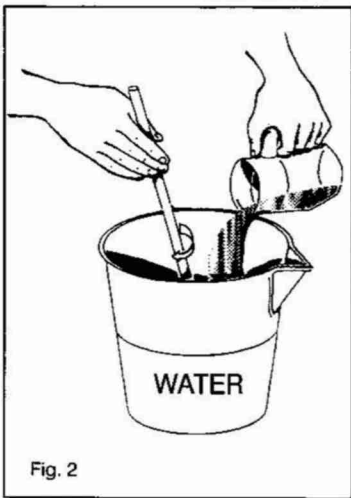
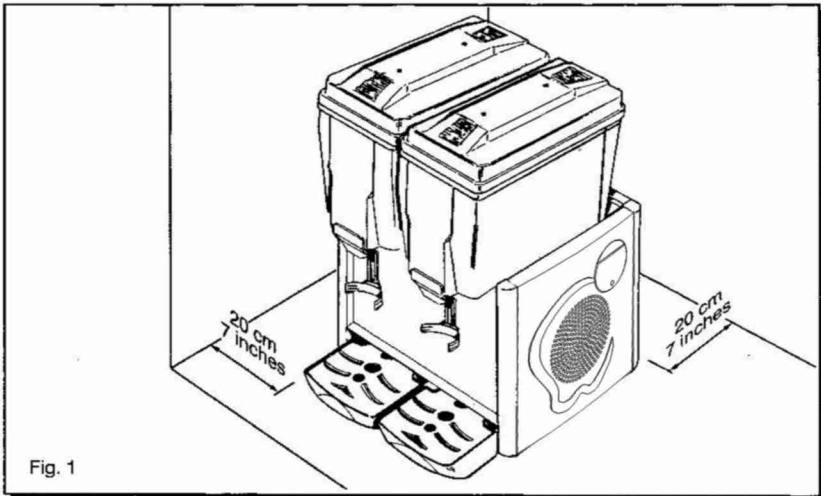


Fig. 5

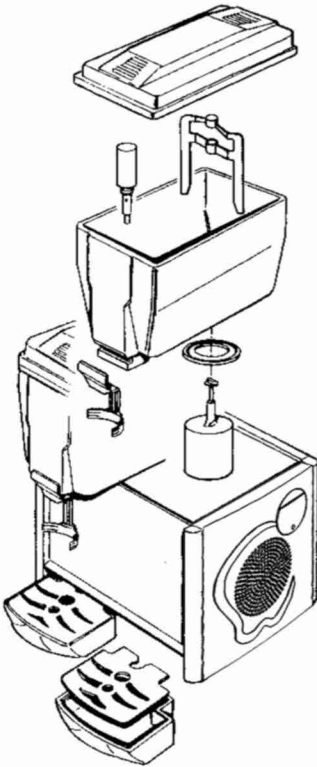


Fig. 6

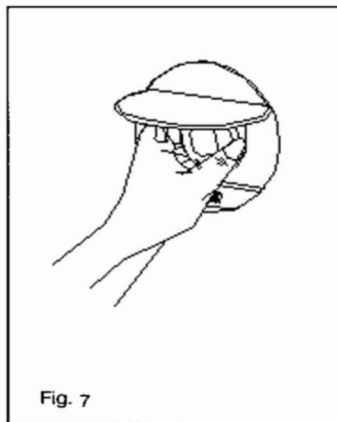
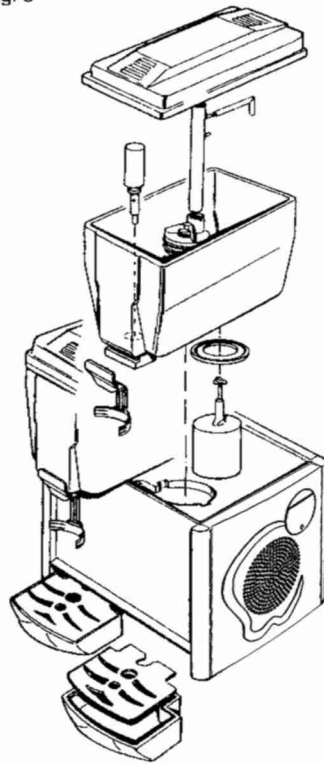


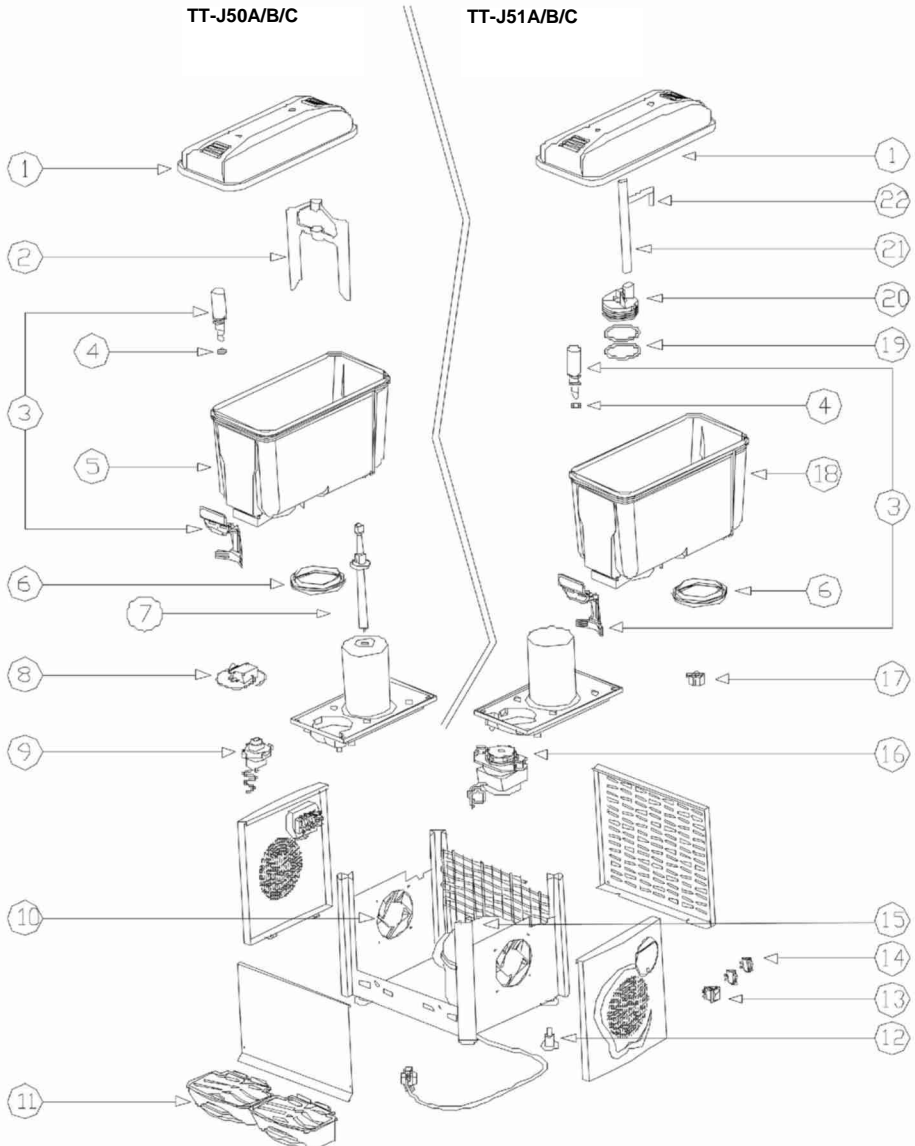
Fig. 7

TROUBLE SHOOTING:

Wait 30 seconds before removing the panels so that all the moving parts inside the machine will be stopped.

Symptom	Cause	Solution
No power to machine	<ul style="list-style-type: none"> ● Plug is not in ● Main switch is not to [ON] position ● Feeder cable is broken ● Main switch is broken 	<ul style="list-style-type: none"> ● Insert plug ● Switch main switch to [ON] ● Replace feeder cable ● Replace main switch
Machine is not cooling	<ul style="list-style-type: none"> ● Compressor does not start ● Gas leak into the cooling circuit ● Condenser is clogged ● Fan motor is burnt ● Lack of air flow 	<ul style="list-style-type: none"> ● See "compressor does not start" section ● Find leak,filter it out and re-charge the cooling circuit ● Clean the condenser ● Replace fan motor ● Increase distance between the machine and otherobstacles /heating sources
Compressor does not start	<ul style="list-style-type: none"> ● Main switch is broken ● Compressor protector is broken ● Compressor relay is broken ● Compressor motor is broken 	<ul style="list-style-type: none"> ● Replace main switch ● Replace compressor protector ● Replace compressor relay ● Replace motor
One bowl is not cooling	<ul style="list-style-type: none"> ● Gas leak into the cooling circuit ● Condenser is clogged ● Lack of air flow ● Tube of the cooling circuit is clogged ● Filter is clogged 	<ul style="list-style-type: none"> ● Find leak,filter it out and re-charge the cooling circuit ● Clean the condenser ● Increase distance between the machine and other obstacles /heating sources ● Cut the tube,eliminate clog, re-charge the cooling circuit ● Replace the filter
The mixing paddles are not working	<ul style="list-style-type: none"> ● The mixing motor is broken 	<ul style="list-style-type: none"> ● Replace the mixing motor
The pump is not working	<ul style="list-style-type: none"> ● The pump motor is broken ● The pump switch is broken 	<ul style="list-style-type: none"> ● Replace the pump motor ● Replace the pump switch

Structure Diagram



1. Cover 2. Mixing Paddle 3. Tap lever 4. Tap gasket 5. High-density PC bowl(paddle system) 6. Gasket 7. Mixing pod 8. Thermostat 9. Mixing motor 10. Condenser fan motor 11. Water tray 12. Adjustable leg 13. Power switch 14. Switch for mixing motor 15. Compressor 16. Pumping motor 17. Corner Plug 18. High-density PC bowl (pump system) 19. gasket for pumping motor 20. pump 21. pumping connector 22. pumping pipe