

HS30B-1 Spiral Machine

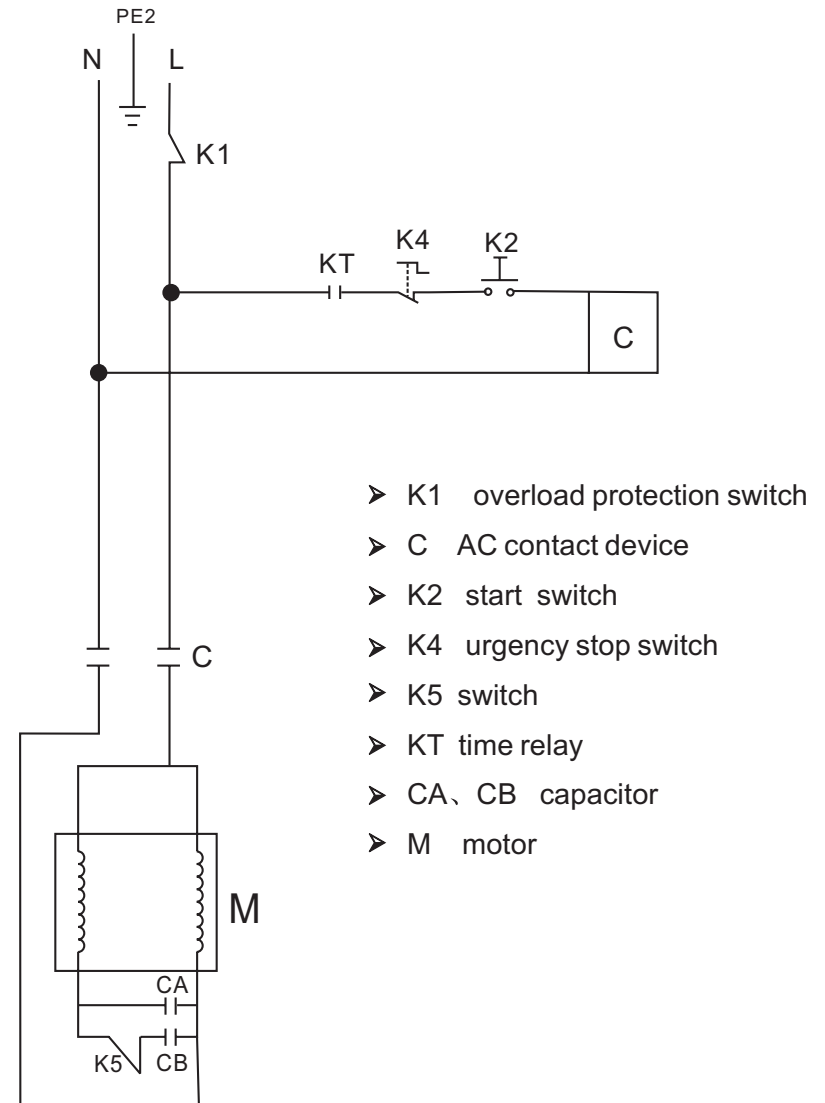
# USER MANUAL



## HS30B-1 Spiral machine Operation Manual Index

- P1. The complete machine equipment chart
- P2. Shape 1 Full set of top cover
- P3. Shape 2 Full set of motor (chart)
- P4. Shape 3 Full set of middle transmission axle
- P5. Shape 4 Full set of spiral hook
- P6. Shape 5 Full set of bowl
- P7. Shape 6 Full set of fork
- P8. Shape 7 Full set of speed block
- P9. Shape 8 Full set of safety net
- P10. Shape 9 Full set of baffle
- P11. Damage problems solving and technical data
- P12. Maintenance and warning
- P13. Electric diagram

### ELECTRIC DIAGRAM

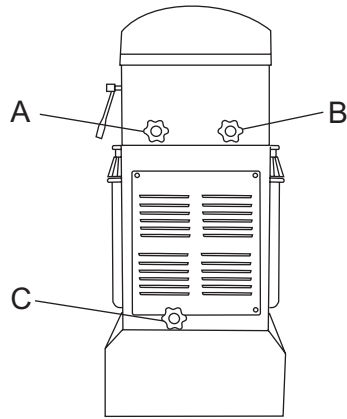


# HS30B-1 Spiral machine

## Maintenance and warning

### Maintenance of machine

- Usually, notice the voice and operation conditions of machine. All problems can be solved in time and ahead of time.
- Check the belt loose condition regularly, and adjust in time. The order of adjustment is as following: Open the top cover, disentangle the four screws for motor, twist A, B tightly, then screw down the four screws for motor, at last twist C tightly.



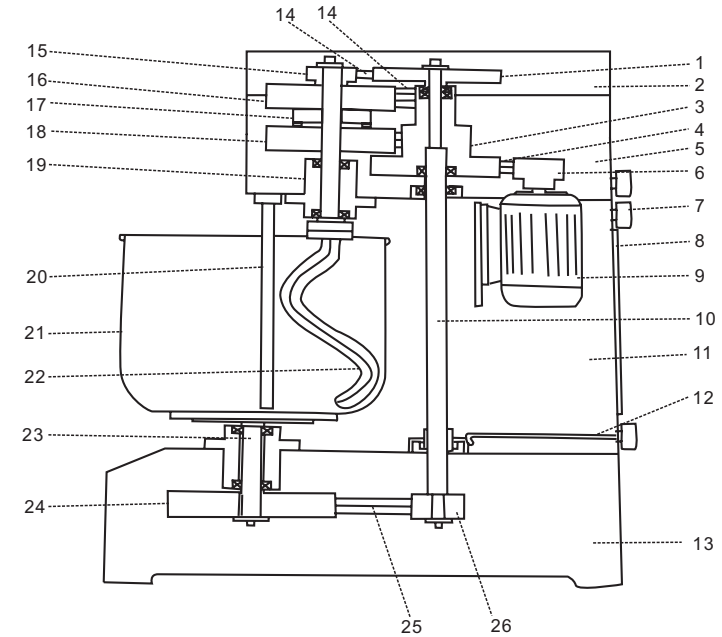
### Warning



1. All maintenance and protection can be operated under shutting off the power.
2. Electricity appliance need operate with professional electrician.
3. The protection net is checked to operate or not before use. Lift up the protection net, shut off the power of control board, then puts down protection net and electrify the control board.
4. Shut off the total power after using the machine each time.
5. When the machine starts up rapidly, the current is big. In order to protect the machine, the computer program sets the postponing 3 seconds, the sudden slow rotary belongs to design but not damages.
6. When the machines is working, putting hands into the barrel or holding the spiral hook are prohibited.
7. Teenagers can not close to spiral machine.

# HS30B-1 Spiral machine

## The complete machine equipment chart

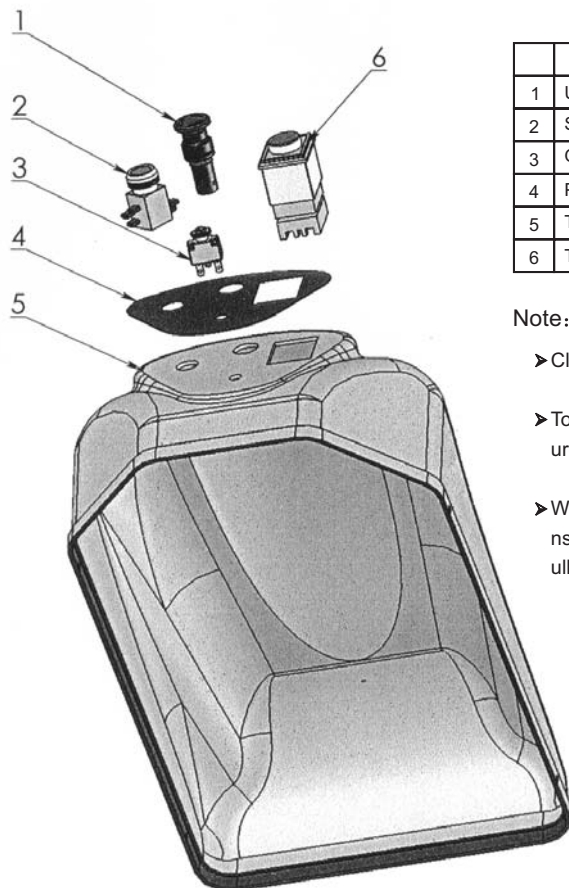


	Spare parts name	Quantity
1	Middle single wheel	1
2	Top cover	1
3	Multilevel wheel	1
4	Belt SPZ762	2
5	Top box	1
6	Motot small belt wheel	1
7	Star handle	3
8	Bottom cover	1
9	Motor	1
10	Middle transmission shaft	1
11	Middle box	1
12	Pushing pole	3
13	Bottom box	1

	Spare parts name	Quantity
14	Belt SPZ825	8
15	Spiral hook small belt wheel	1
16	Low-speed belt wheel	1
17	Joint	1
18	High-speed belt wheel	1
19	Bearing seat	1
20	Dividing paste pole	1
21	Bowl	1
22	Spiral hook	1
23	Bowl axle	1
24	Bowl big belt wheel	1
25	Belt SPZ1087	3
26	Bowl initiative wheel	1

## HS30B-1 Spiral machine

### SHAPE 1 Full set of top cover



	Names of spare parts	Quantity
1	Urgent switch	1
2	Start switch	1
3	Overload switch	1
4	Panel paster	1
5	Top cover	1
6	Timer relay	1

#### Note:

- ▶ Cleaning by water pipe is prohibited.
- ▶ Touching the switch and electrical source by wet handkerchief is prohibited.
- ▶ When professional repairman maintains the spiral machine, we must and pull out the electrical source.

## HS30B-1 Spiral machine

### Damage problems solving and technical data

#### Damage problems solving

Damages	Reasons	Methods
Speed of spiral slows down.	The belt is loose or voltage is too small	Adjust belt tightly. If the star handle can not be twisted tightly, take off the star handle and add 1-2 flat gaskets (Page 13 A/B/C). At last, we twist it tightly.

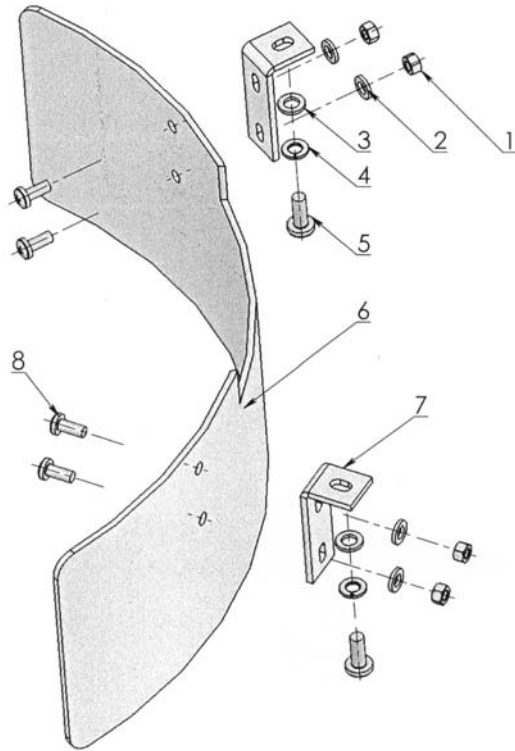
#### Technical data

	HS30 B-1	HS30 B-1
Rating voltage (V)	220-240~	110-120~
Rating frequency (Hz)	50	60
Rating power (W)	2100	2100
Max. spiral quantity (kg)	12.5	12.5
Spiral hook speed (r/min)	200/139	230/159
Bowl speed (r/min)	18/13	23/15

- Suggestion
1. The paste occupies the capacity of barrel material 30%-60% suitably.
  2. Flour water quantity is 50%-57%
  3. When the material is full, the machine can not work over 20 minutes continually

# HS30B-1 Spiral machine

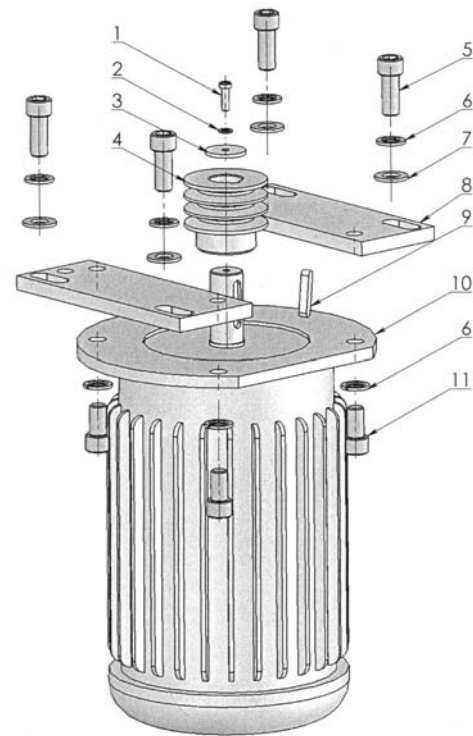
## SHAPE 9 Full set of baffle



	Names of spare parts	Quantity
1	Nut M5	4
2	Gasket 5	4
3	Gasket 6	2
4	Spring gasket 6	2
5	Screw M6*16	2
6	Baffle	1
7	Baffle bracket	2
8	Screw M5*12	4

# HS30B-1 Spiral machine

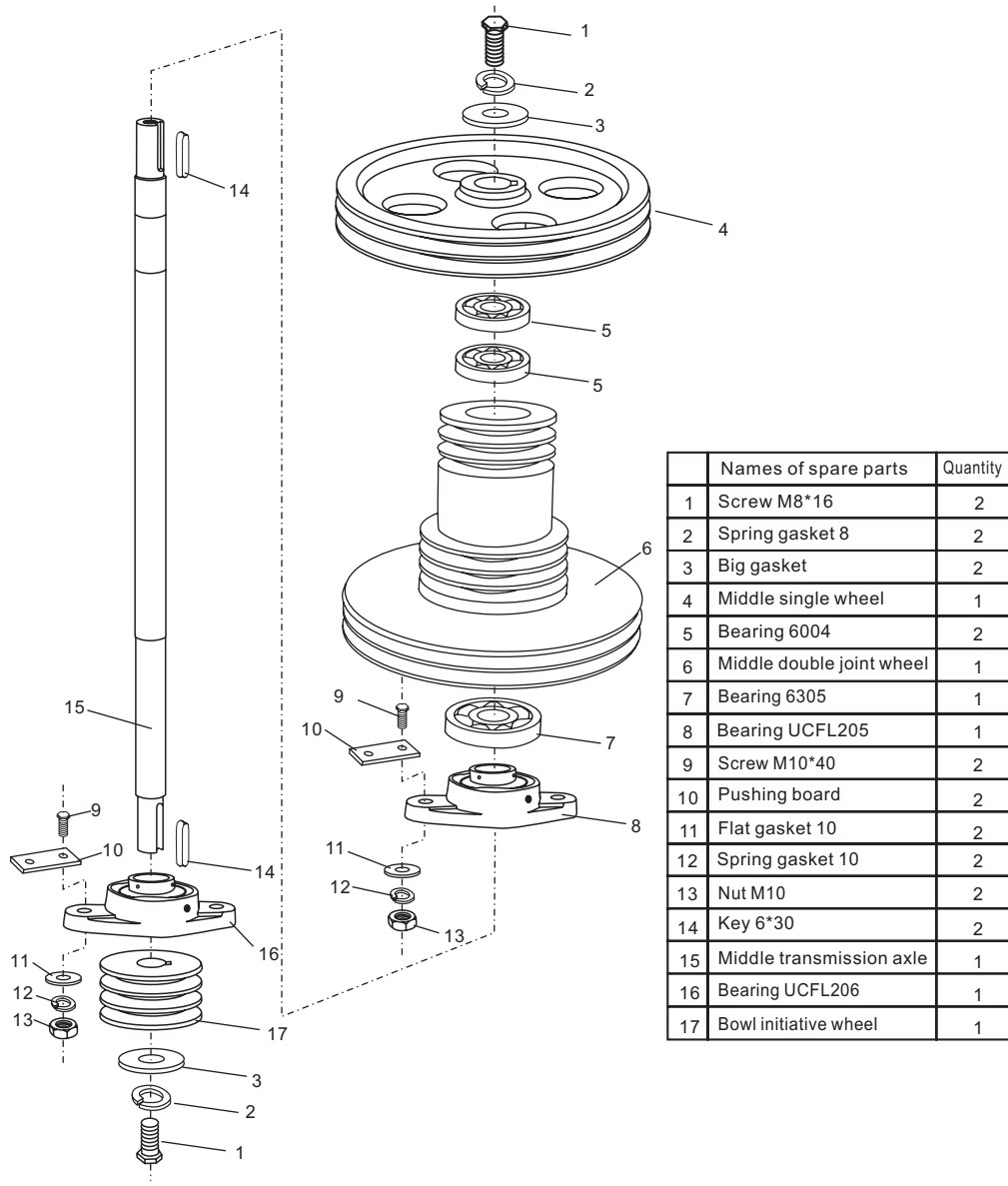
## SHAPE 2 Full set of motor (chart)



	Names of spare parts	Quantity
1	Screw	1
2	Spring gasket	1
3	Gasket	1
4	Motor small belt wheel	1
5	Screw	4
6	Spring gasket	8
7	Gasket	4
8	Motor board	2
9	Key	1
10	Motor	1
11	Screw	4

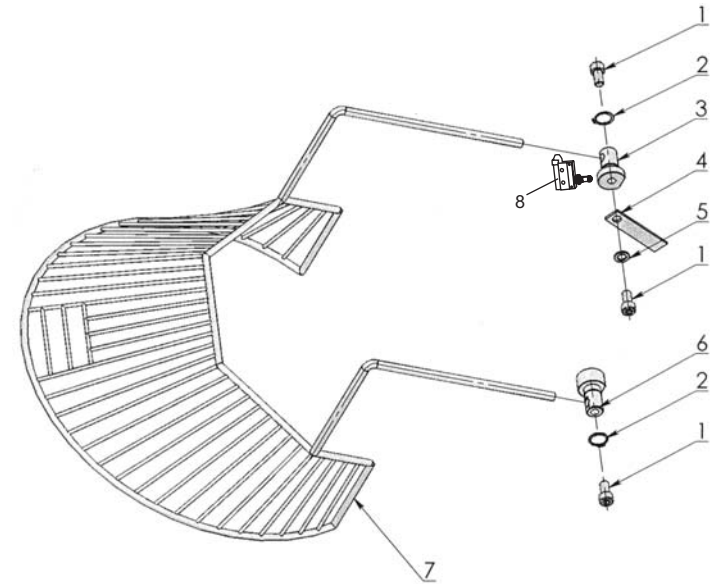
# HS30B-1 Spiral machine

SHAPE 3 Full set of middle transmission axle



# HS30B-1 Spiral machine

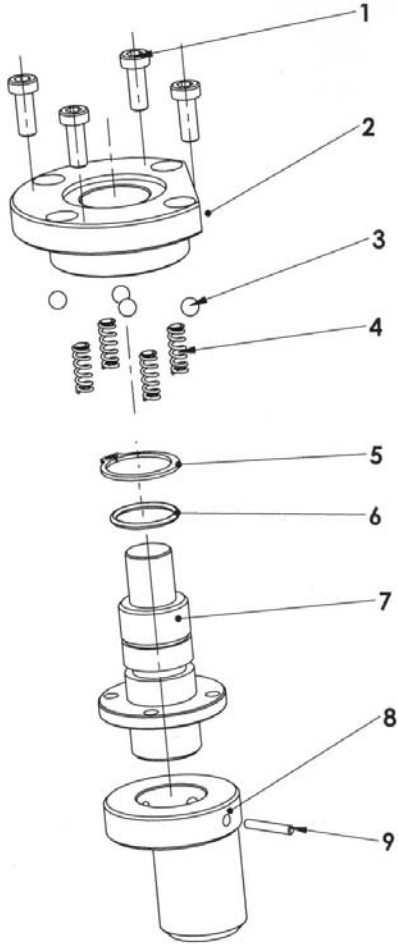
SHAPE 8 Full set of safety net



	Names of spare parts	Quantity
1	Screw M10*20	2
2	Stop ring 20	2
3	Short safety net axle	1
4	Orientation block	1
5	Spring gasket 10	2
6	Long safety net axle	1
7	Safety net	1
8	Micro switch	1

# HS30B-1 Spiral machine

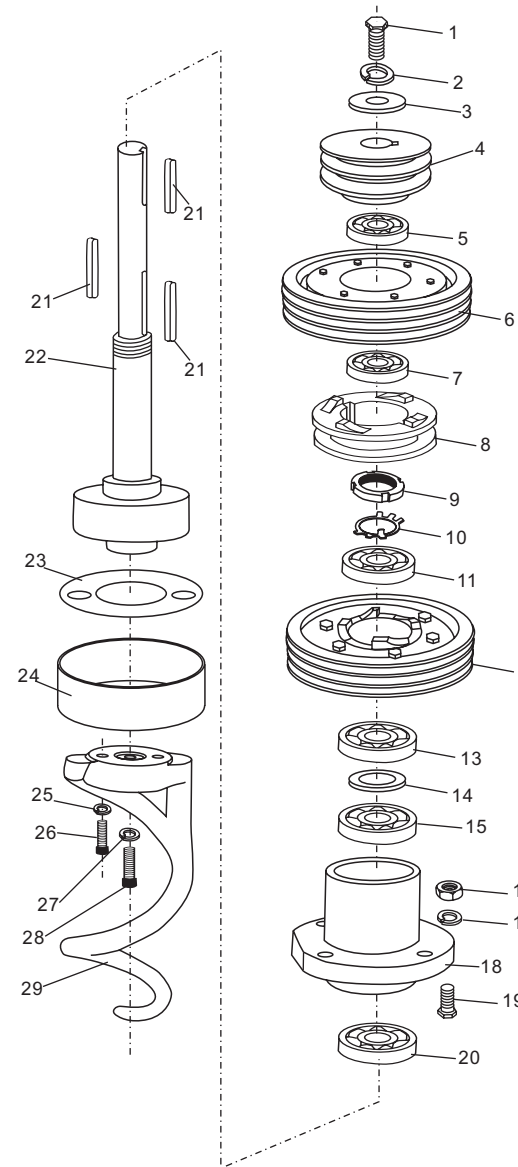
## SHAPE 7 Full set of speed block



	Description	Qty
1	Screw M6*16	4
2	Speed block	1
3	Steel bal 6	4
4	Spring	4
5	Stop ring	1
6	O ring	1
7	Change speed axle	1
8	Eccentricity knot	1
9	Pin	1

# HS30B-1 Spiral machine

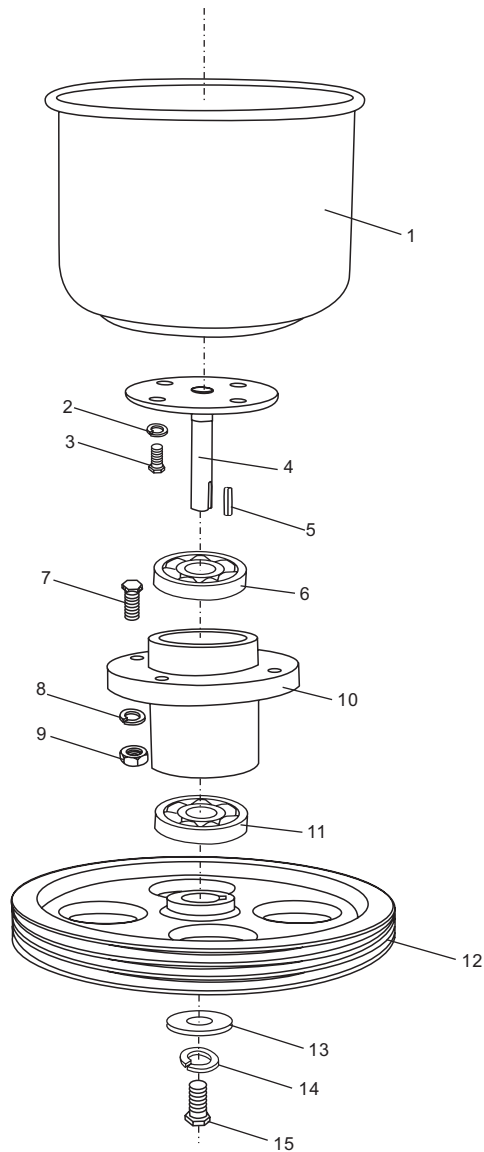
## SHAPE 4 Full set of spiral hook



	Names of spare parts	Quantity
1	Screw M8*16	1
2	Spring gasket 8	1
3	Big gasket	1
4	Spiral hook small belt wheel	1
5	Bearing 6305	1
6	Low-speed belt wheel	1
7	Bearing 6305	1
8	Joint	1
9	Nut M35*1.5	1
10	Ring 35	1
11	Bearing 6307	1
12	High-speed belt wheel	1
13	Bearing 6307	1
14	Ring	1
15	Bearing 6307	1
16	Nut M12	4
17	Spring gasket 12	4
18	Bearing seat	1
19	Screw M12*40	4
20	Bearing 6307	1
21	Key 8*35	1
22	Spiral hook axle	1
23	Decoration ring adjustment gasket	1
24	Decoration ring	1
25	Spring gasket 10	2
26	Screw M10*40	2
27	Spring gasket 14	1
28	Screw M14*35	1
29	Spiral hook	1

# HS30B-1 Spiral machine

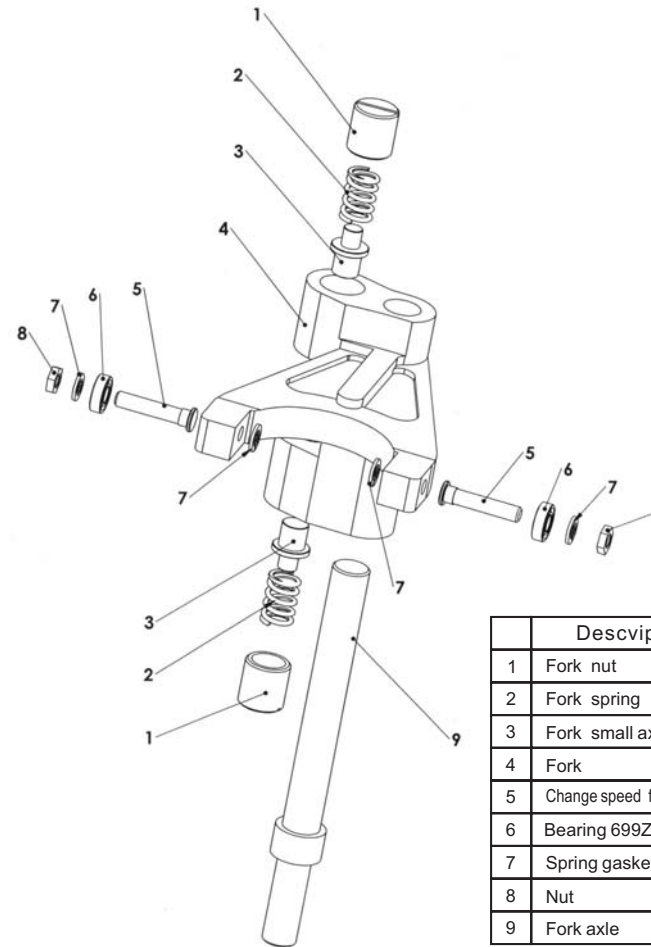
## SHAPE 5 Full set of bowl



	Names of spare parts	Quantity
1	Bowl	1
2	Spring gasket 10	4
3	Screw M10*18	4
4	Bowl axle	1
5	Key 8*35	1
6	Bearing 6305	1
7	Screw M10*50	4
8	Spring gasket 10	4
9	Nut M10	4
10	Bearing seat	1
11	Bearing 6305	1
12	Bowl big belt wheel	1
13	Big gasket	1
14	Spring gasket 8	1
15	Screw M8*16	1

# HS30B-1 Spiral machine

## SHAPE 6 Full set of fork



	Description	Qty
1	Fork nut	2
2	Fork spring	2
3	Fork small axle	2
4	Fork	1
5	Change speed fork small axle	2
6	Bearing 699Z	2
7	Spring gasket 8	2
8	Nut	2
9	Fork axle	1