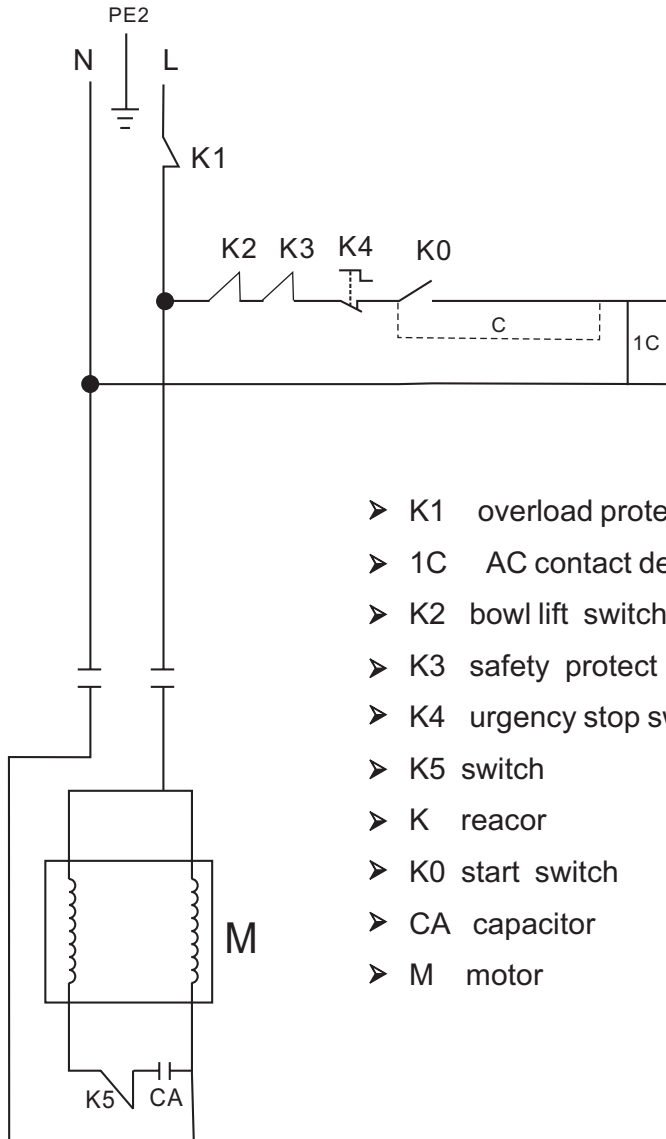


B10F/B10F-PG/B15F/B15F-PG Mixer Parts List

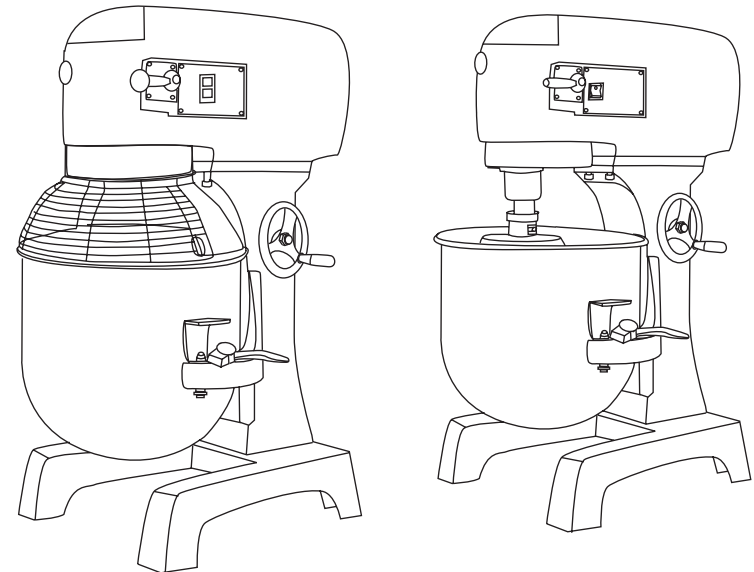
ELECTRIC DIAGRAM



- K1 overload protection switch
- 1C AC contact device
- K2 bowl lift switch
- K3 safety protect switch
- K4 urgency stop switch
- K5 switch
- K reactor
- K0 start switch
- CA capacitor
- M motor

B10F/B10F-PG B15F/B15F-PG

MIXER USER MANUAL



INDEX




PARTS CATALOG OVERVIEW	1
FIGURE 1 TRANSMISSION CASE, ARM, STAND	2
FIGURE 2 AXLE	3
FIGURE 3 GEAR AXLE	4
FIGURE 4 MOTOR UNIT	5
FIGURE 5 FORK AND SPEED SHAFT	6
FIGURE 6 ARM AND HANDWHEEL TYPE BOWL LIFTER UNIT	7
FIGURE 7 HANDGRIP BOWL LIFTER UNIT	8
FIGURE 8 TURNING PLATE AND MIXING AXLE	9
FIGURE 9 STANDARD ACCESSORIES	10
OPERATION INSTRUCTION	11
WARNING AND SPECIAL ATTENTION	12
TROUBLE SHOOTING AND SPECIFICATION	13
ELECTRIC DIAGRAM	14

TROUBLE SHOOTING AND SPECIFICATION

TROUBLE SHOOTING

Trouble	Possible Causes	Re-cover
The axle can't work when operate the machine.	Poor contact of the electrical equipment.	Check the plug.
The mixing bowl out of position.	Moving direction is not correct.	
Leak oil.	Sealing washer is damaged.	Change.
Defficult to move the bowl up and down.	Slideway is rusted.	Clean the slideway and lubrication.
The motor is overheat and speed down.	The voltage is not enough, or incorrect speed.	Check the voltage or use lower speed.
Noise and over heat.	Poor lubrication.	Add or change lubrication.
Mixer touch the bowl.	The mixing device or bowl deformed.	Repair or change the bowl or mixing device.

SPECIFICATION

Type	B10F	B10F	B10F-PG	B10F-PG	B15F	B15F	B15F-PG	B15F-PG
Mixer (L)	10	10	10	10	15	15	15	15
Power Supply (V)	110V	220~240V	110V	220~240V	110V	220~240V	110V	220~240V
Input Power (W)	600	600	600	600	600	600	600	600
Mixing Speed (r.p.m)		508	480	508	480	508	480	508
		258	244	258	244	258	244	258
		156	148	156	148	156	148	156
Maxflour Capacity(kg)	2.5	2.5	2.5	2.5	3.5	3.5	3.5	3.5

B10F/B10F-PG/B15F/B15F-PG Mixer Parts List

WARNING AND SPECIAL ATTENTION

WARNING

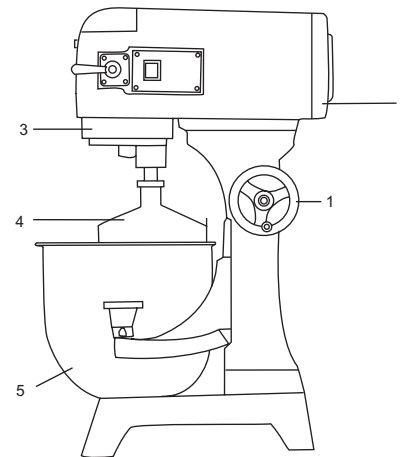
- 1 DON'T USE WATER PIPE TO WASH THE MIXER DIRECTLY;
- 2 PLEASE PULL OFF THE PLUG BEFORE MAINTAINNING, AND MAKE IT MAINTAINED BY PROFESSIONALS;
- 3 DON'T TOUCH THE SWITCHS AND PLUG WITH WET HAND;
- 4 IF BROKEN, PLEASE STOP USING AT ONCE
- 5 THERE IS A GROUNDED NUT (SIGNED " \perp ") IN THE MACHINE, PLEASE RECOVER IT TO ORIGIN CONDITION, DON'T CANCEL THE GROUNDED LINE;
- 6 DON'T PUT HANDS INTO THE BOWL OR TOUCH THE MIXING DEVICES WHEN WORKING;
- 7 DON'T ALLOW THE MINOR CLOSE TO THE MACHINE;
- 8 THE MACHINE SHOULD BE FIXED ON THE DRY WOODEN SPLINT AND WORK IN SAFE AREA;
- 9 IF THE ELECTRICAL WIRE IS BROKEN, PLEASE CHANGE IT BY PROFECTIONALS.

SPECIAL ATTENTION

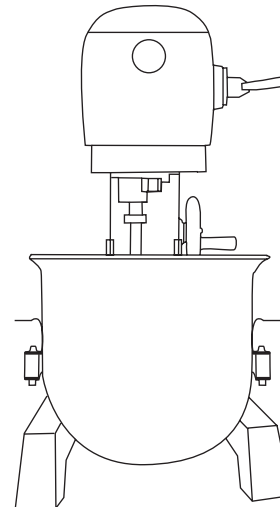
- 1 BEFORE USING , PLEASE CLEAN THE BOWL AND THE MIXING DEVICES CAREFULLY, AND THEN INSTALL THE BOWL ONTO THE MACHINE CORRECTLY AND TIGHTLY;
- 2 WHEN CHOOSING MIXING DEVICES, PLEASE REFER TO THE OPERATION MANUAL TO CHOSE THE CORRECT SPEED, OR IT WILL DESTORY THE INSIDE SPARE PARTS AND SHORTEN THE USING LIFE OF THE MACHIE;
- 3 AFTER USING, PLEASE POWER OFF THE MACHINE, AND PUT THE BOWL AND DEVICES IN THE SAFE AND CLEAN PLACE AFTER CLEANING;
- 4 KEEP ENVIROMENT ARROUND THE MACHINE DRY、HEALTH AND SAFE.

B10F/B10F-PG/B15F/B15F-PG Mixer Parts List

PARTS CATALOG OVERVIEW



Item	Description
1	french
2	rear cover
3	ring
4	Mixing device III
5	bowl

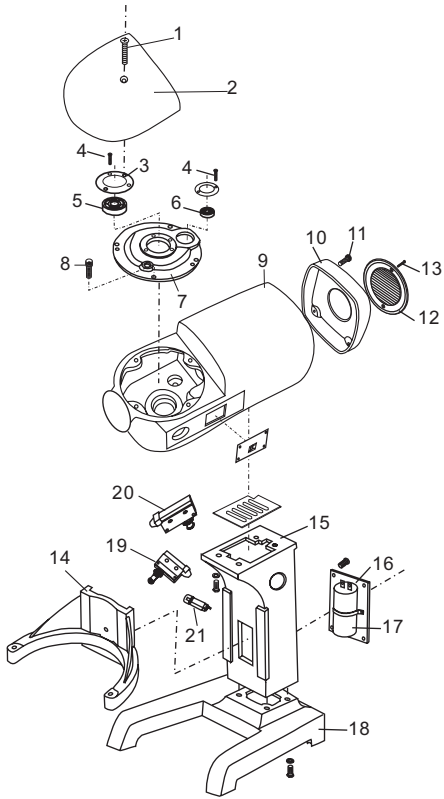


NOTES:

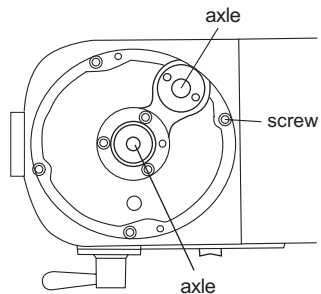
- The no using pipe line sprays to wash the mixer.
- Wet hand in no using contact switch with power supply plug.
- While maintaining the mixer, must pull out first the power supply plug, and from profession the personnel maintains.

B10F/B10F-PG/B15F/B15F-PG Mixer Parts List

Figure 1 TRANSMISSION CASE, ARM, STAND



Item	Description	Qty
1	screw M5*35	1
2	cover	1
3	plate	1
4	screw M5*12	5
5	bearing 6202	1
6	bearing 6201	1
7	bearing cover	1
8	screw M5*20	4
9	body	1
10	rear cover	1
11	screw M6*55	4
12	breeze window	1
13	screw M5*12	1
14	arm	1
15	stand	1
16	capacitor board	1
17	capacitor	1
18	seat	1
19	safety covering switch	1
20	fluctuate safety switch	1
21	overload protection switch	1



NOTES

- Machine at a factory hour have added to note the superior quality lubricates the grease, usually the circumstance bottom can use for several years, but machine is after maintaining, must replace the lubrication grease.

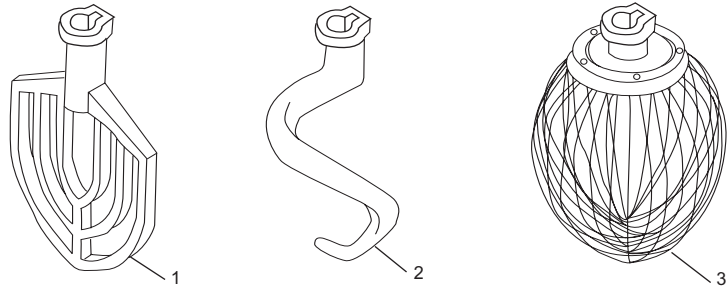
B10F/B10F-PG/B15F/B15F-PG Mixer Parts List

OPERATION INSTRUCTION

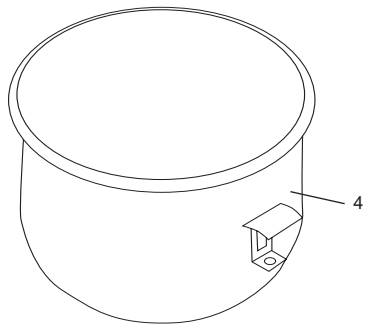
	<ul style="list-style-type: none"> Before using, please check power supply if it match your machine and be sure ground wire is eliable.
	<ul style="list-style-type: none"> Before testing, please take mixing device off first, in order to avoid damage machine which is match moving direction. It's necessary to change the three-phase machine if the moving direction is not match with arrow.
OFF	<ul style="list-style-type: none"> For changing the speed: Please stop machine first before change speed in order to aviod damage gear box.
	<ul style="list-style-type: none"> Mixing: according to the different mixing-material. Choose the different mixing devices and speed.
A	<ul style="list-style-type: none"> A: Be suitable for mix and stir butter, eggs, and work with in high speed, working time is less than 15 minutes.
B	<ul style="list-style-type: none"> B. Be suitable for mix and stir stuffing and raw material, and work in middle speed, working time is less than 20 minutes.
C	<ul style="list-style-type: none"> C: middle position is suitable for mixing dough, working time is less than 30 minutes. Flour water quantity is 40%-50%.

B10F/B10F-PG/B15F/B15F-PG Mixer Parts List

Figure 9 STANDARD ACCESSORIES



Item	Description	Qty
1	Mixing device I	1
2	Mixing device II	1
3	Mixing device III	1
4	bowl	1

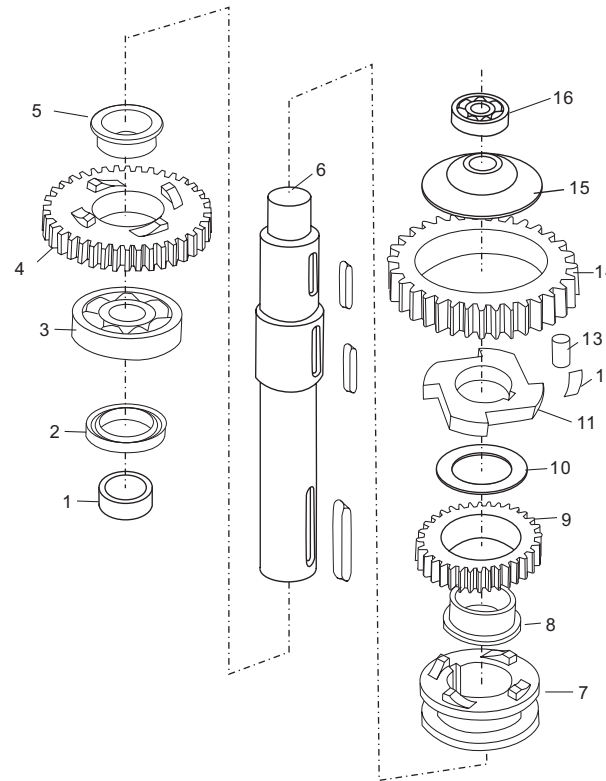


NOTES

- Any agitator is easily installed by simply raising it onto the mixing axle, and then rotating it counter-clockwise on the shaft until into place. To remove, raise the agitator on the shaft until it clears the lock and then rotate clockwise and lower.
- All of tools are precisely fitted to the bowl, rounded corners and easily removable for cleaning.

B10F/B10F-PG/B15F/B15F-PG Mixer Parts List

Figure 2 AXLE



Item	Description	Qty
1	cover	1
2	oil seal 25*40*10	1
3	bearing 6204	1
4	big joint gear	1
5	bearing ring	1
6	axle	1
7	joint	1
8	bearing ring	1
9	joint gear	1
10	dividing ring	1
11	engager	1
12	spring	8
13	roller	4
14	gear ring	1
15	plate ring	1
16	bearing 6001	1

NOTES

- Be sure to install correct position (see Figure 2-1) and lubricate all of the pins in the sleeve drive when reassembling.
- Joint (7) must always be raised and lowered smoothly. Be sure joint sleeve as shown in Figure 2-2.
- Check oil seal, if serious oil leaks from drip cup.

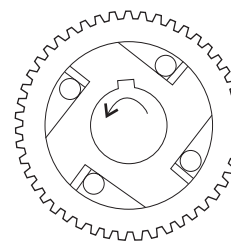


FIGURE 2-1

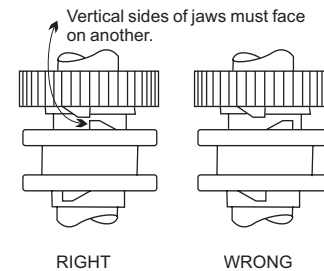
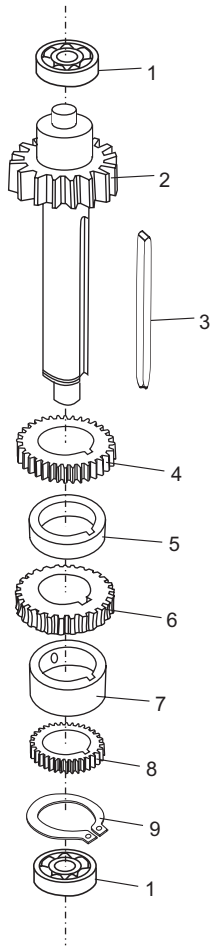


FIGURE 2-2

B10F/B10F-PG/B15F/B15F-PG Mixer Parts List

Figure 3 GEAR AXLE



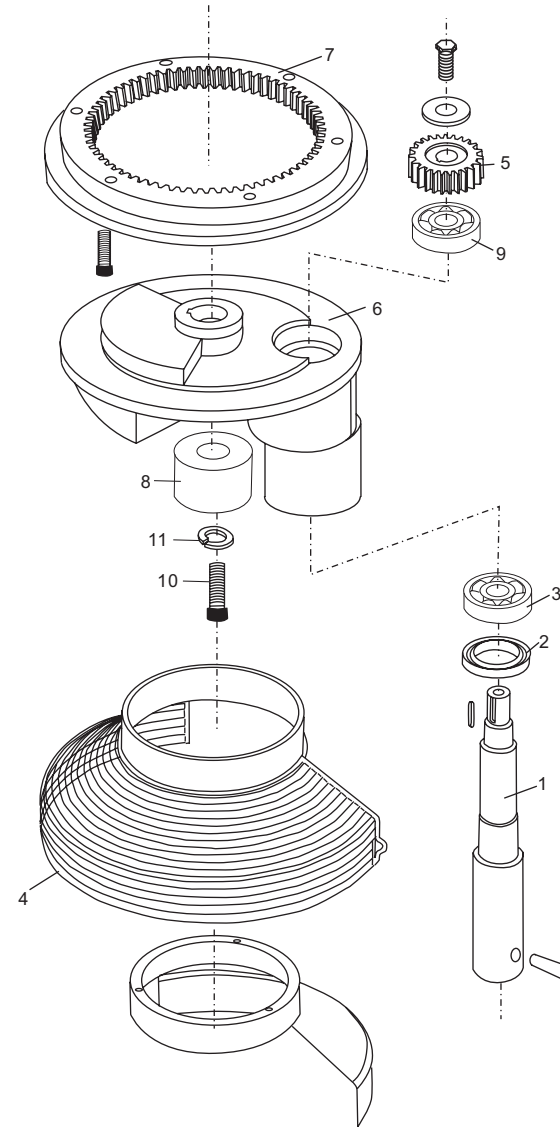
Item	Description	Qty
1	bearing 6001	2
2	gear axle	1
3	key 5*58	1
4	gear	1
5	collar	1
6	gear	1
7	long collar	1
8	gear	1
9	stop ring	1

NOTES

- Be sure that the keys are inserted for each gear.

B10F/B10F-PG/B15F/B15F-PG Mixer Parts List

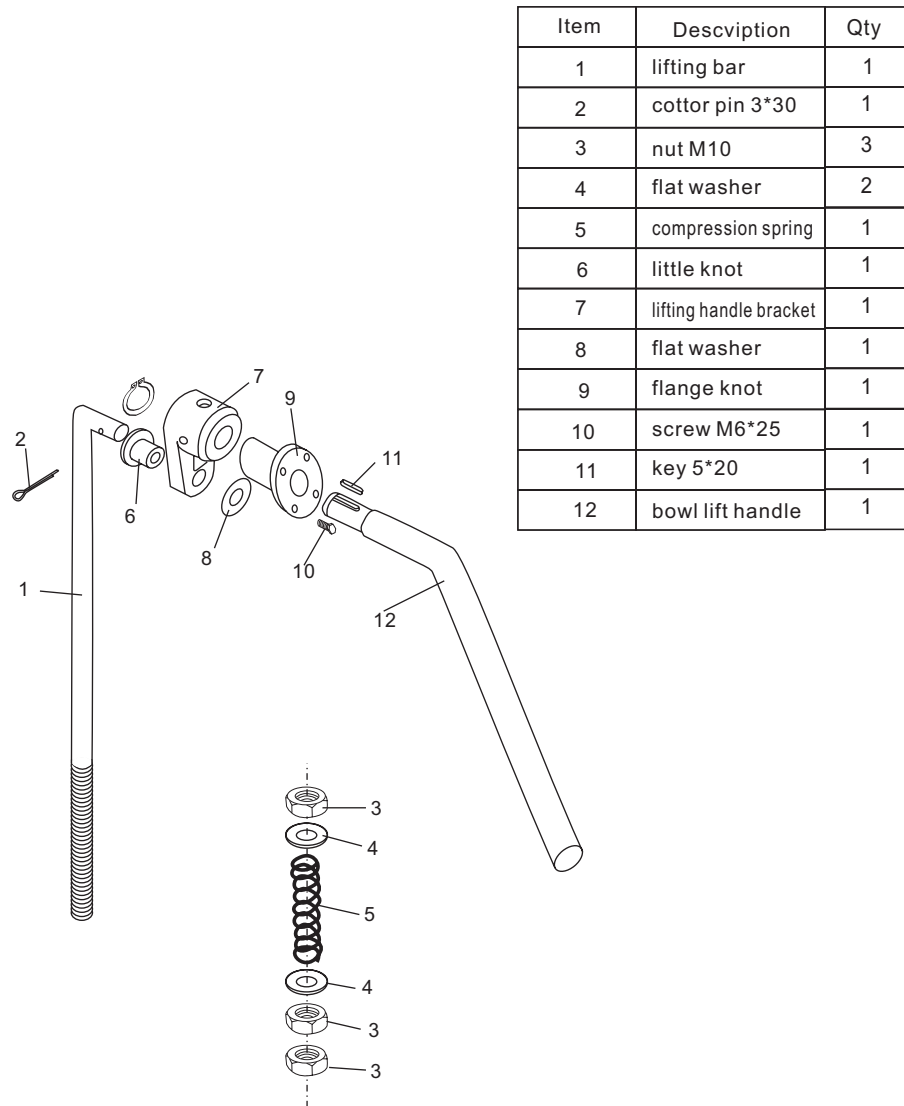
Figure 8 TURNING PLATE AND MIXING AXLE



Item	Description	Qty
1	mixing axle	1
2	Oil seal 20*40*10	1
3	bearing 6003	1
4	safety net	1
5	planetary gear	1
6	turning plate	1
7	inner gear	1
8	cover	1
9	bearing 6203	1
10	screw M8*20	1
11	ring	1

B10F/B10F-PG/B15F/B15F-PG Mixer Parts List

Figure 7 HANDGRIP TYPE BOWL LIFTER UNIT



B10F/B10F-PG/B15F/B15F-PG Mixer Parts List

Figure 4 MOTOR UNIT

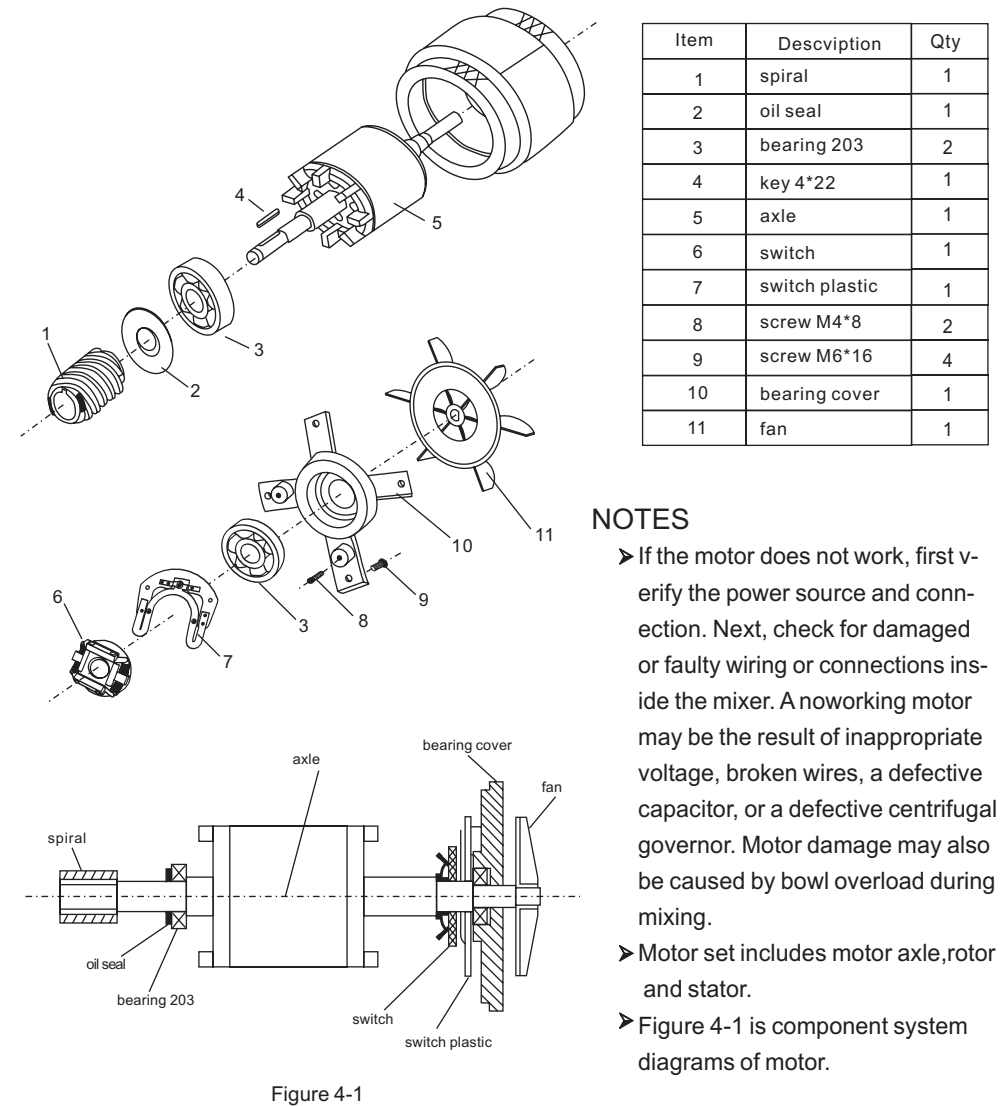
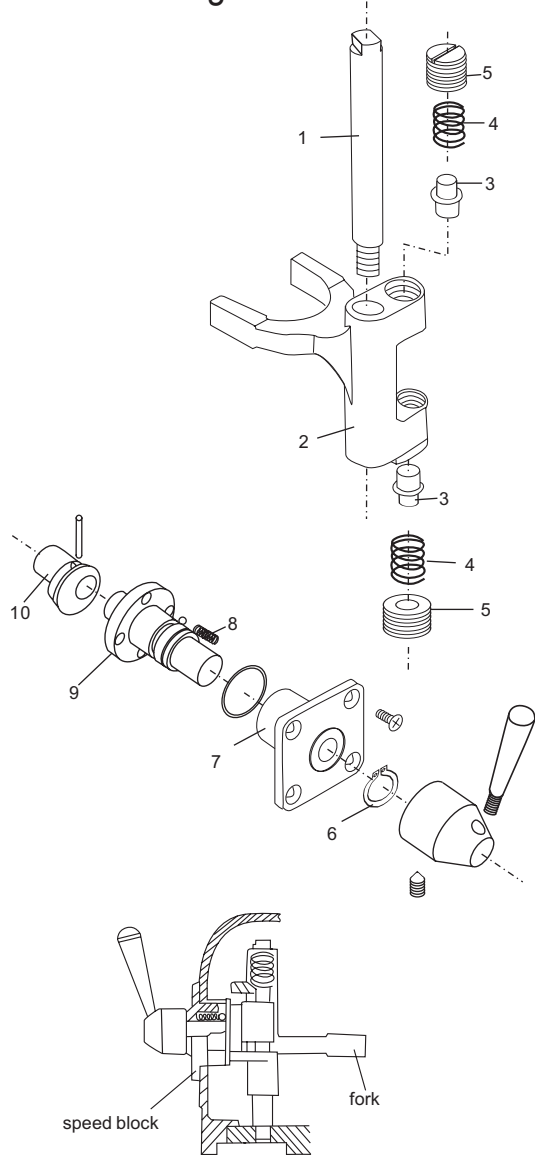


Figure 4-1

B10F/B10F-PG/B15F/B15F-PG Mixer Parts List

Figure 5 FORK AND SPEED SHAFT



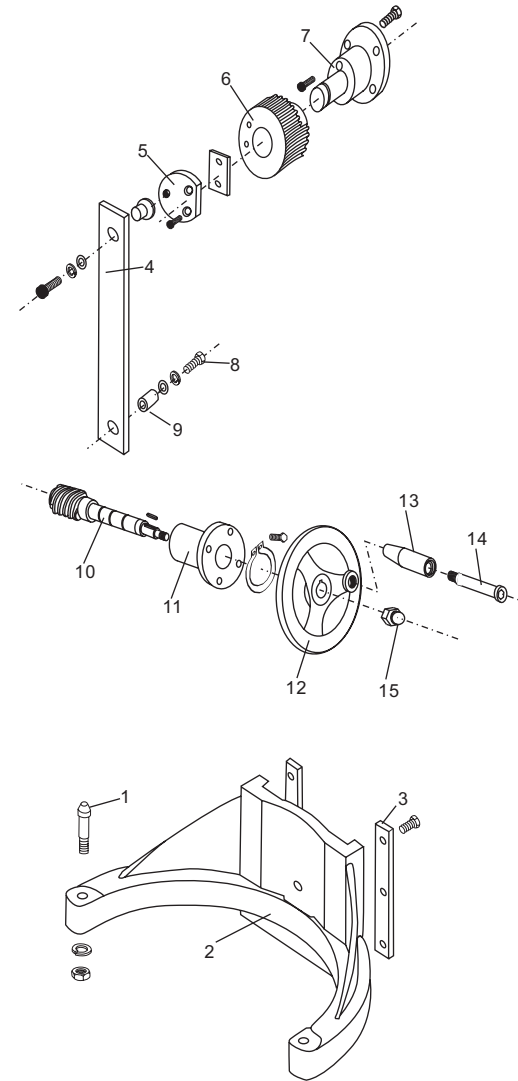
Item	Description	Qty
1	axle	1
2	fork	1
3	shaft	2
4	spring	2
5	nut	2
6	bearing ring	1
7	speed block	1
8	spring	2
9	shaft	1
10	plate	1

NOTES

- The speed selector / shifting mechanism is designed for simplicity and reliability. It features three mixing speeds.
- Speed selection is made by aligning the pointer of the shifter handle with the proper number on the shift selector. Stop the mixer before making any speed changes.
- Apply sealant to the shift selector assembly, and install it.

B10F/B10F-PG/B15F/B15F-PG Mixer Parts List

Figure 6 ARM AND BOWL LIFTER UNIT



Item	Description	Qty
1	screw	2
2	arm	1
3	plate	2
4	pull pole	1
5	plate	1
6	gear	1
7	brace seat	1
8	screw M8*20	1
9	sleeve	1
10	spiral	1
11	french support	1
12	french	1
13	handle	1
14	handle screw	1
15	nut	1