

(J)ZH-TO
Electric Boiler Pan

Thank you for purchasing this range of appliance of our company.

Proper attention to preventative maintenance and scheduled maintenance procedures will prolong the life of the appliance.

Warning:

Improper installation, adjustment, alteration, service or maintenance can cause property damage, injury or death. Read the installation, operation and maintenance instructions thoroughly before installing or servicing this appliance.

For your safety

Do not store gasoline or other flammable liquids in the vicinity of this or any other appliance.

WARNING: FIRE HAZARD

The area where the appliance is installed must be kept clear of combustibles and flammables. This includes mops, rags, grease, wrapping paper and electrical cords.

Warning

Electrical Grounding Instructions

This unit should be grounded safely. Make sure the available power supply can match the specifications shown on the naming plate.

Notice

This appliance is designed for use in non-combustible locations only. Install the appliance on a firm, level, non-combustible surface.

For servicing, a clearance of 6 inches (15cm) from rear of the appliance to wall should be kept.

After long-time use, there might be a build-up of calcium on the heating element. This need to be de-calcium. When the unit is cool, fill in some de-calcium chemical solution inside the jacketed part. After a period of time (suggested by the Chemical supplier), drain the water out of the jacketed part. Then clean it with clean water.

This kind of boiler pan is developed by our company. It absorbs the advantages of similar products home and abroad. It is novel in design and reasonable in structure. It is easy to operate and maintain. It is made of stainless steel. It is furnished with a thermostat, so a constant temperature can be easily obtained in a short time. It is an ideal choice for hotels, super-markets, western food kitchen, fast-food chains and other food industries.

1. General information


Proper installation, professional operation and consistent maintenance of this appliance will ensure that it gives you the very best performance and a long, economical life.

This instruction manual contains the information needed to properly install the appliance, and to use and care for the appliance in a manner which will ensure its optimum performance. This manual is considered to be a permanent part of the appliance. This manual and supplied instruction, circuit diagrams, schematics, parts breakdown illustrations, notices, warnings and naming plates must remain with the appliance if it is sold or moved to another location. It should be easily accessible for anyone carrying out the installation, servicing, and cleaning.

2. Product Specification

Model	ZH-TO	ZH-TOL	JZH-TOL
Voltage	380V	380V	380V
Power	12KW	12KW	12KW
Volume	100L	100L	60L
Dimension	800×900×850+120(mm)	900×900×850+120(mm)	700×750×850+60(mm)

3. Notice

- Note that the power cord should never touch any heat sources or sharp edges. Never let the power cord dangle over the counter edge.
- Stop using the appliance immediately if malfunction of the unit occurs. Shut off main power supply.
- Do not use any accessory or spare parts that have not been recommended or designated by the manufacturer. This can pose a danger for the user or lead to damages of the appliance or personal injury.
- Do not lay the power cord over carpets or heat insulations. Do not cover it with any other objects. Keep away the power cord from operating range and do not immerse it into water.
- Never touch the power cord, plug or the switch when your hands are wet.
- Do not leave the unit unattended during operation.
- Never move or re-position the unit until the hot water cools down completely. **WARNING! Risk of injury! Hot water splashes may cause burns at hands and face!**
- **WARNING! Hazard via electrical current! Make sure that the voltage of local power supply matches that of the naming plate.**
- Behind the housing, there is a copper-material equi-potential terminal 
- When there is a lightning approaching, shut off the main supply.

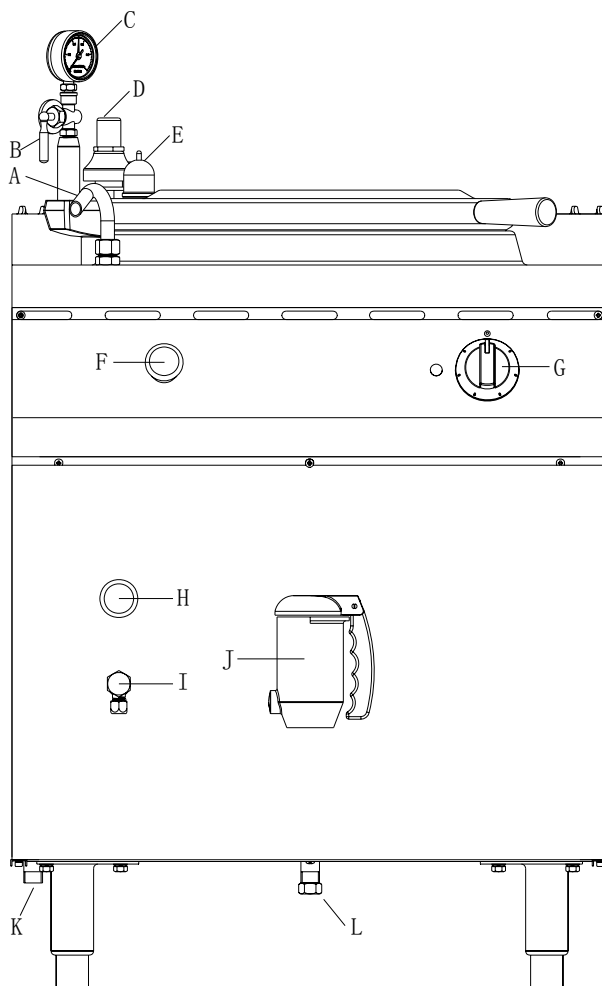
4. Operating environment

- 1) Connect water supply to water inlet connection K. Rotate water pipe A into the boiler;
- 2) Turn on water cock F to add water to desired level;
- 3) Turn on water cock H to add water to the jacketed part (turn water cock I) until the jacketed part is full. There would be water flowing out from Water cock I. Turn off water cock H & I;
- 4) Get through power supply. Turn on thermostat G. The unit begins to work;
- 5) In half an hour, press pressure-relief device E to purge the air in the jacketed part. (Please wear gloves or use some other tools to press this device. Never press it with your bare hands. You may get injured);
- 6) Please adjust the thermostat to set different temperatures during the cooking process;
- 7) After working, turn off all the power supply. Shut the main supply off.
- 8) In order to prolong the life of this unit, please install one water-softener to purify the water

Notice:

! Make sure there is water coming out from water cock I. Otherwise the internal components might be damaged.

Before inspecting for water flow-out from water cock I, please press manual pressure-relief device E. Make sure pressure gauge points to the starting point 0. Then turn on water supply to fill in water until there is water flowing out from water cock I. Turn off H & I.



- A: Water inlet
- B: Pressure device switch
- C: Gauge
- D: Auto-pressure relief
- E: Manual pressure relief
- F: Water tap for boiler
- G: Thermostat
- H: Water inlet switch for jacketed part
- I: Full-water indicating cock
- J: Drain cock
- K: Drainage tap for main pan
- L: Drainage tap for jacketed

6. Transportation and storage

In the process of transportation, the appliance should be handled carefully, preventing the intense shaking. The packaged appliance should be stored in a well-ventilated area free of caustic air. It cannot be placed in the outside area and should never be put upside down. Keep it dry and dust-free. Do not expose it to direct sunlight. Avoid mechanical shocks and vibrations. If it is for temporary storage, the weather-proof method should be taken.

7. Cleaning and maintenance

- 7.1. Before cleaning and repairing the unit, cut off the power in case of electric shock.
- 7.2. Use a piece of wet cloth dampened by detergent solution which is not corrosive to clean the unit. Do not wash the unit with water jets.
- 7.3. Never toast any food whose surface is covered by a lot sugar, because the sugar will flow into the unit and cause contamination to the unit. It may result in malfunctions of the unit.
- 7.4 Never use a water jet to clean the electrical box. Try to prevent the water flowing into the box. If so, malfunctions of appliance may occur.

8. Notice

- 8.1 The voltage and phase of power supply should match that one on the naming plate.
- 8.2 Operators should install suitable switch, fuse protector and three-prong receptacle.
- 8.3 The appliance should be grounded safely. No insulation material should be placed between the body and earth. Make sure the appliance is grounded safely to avoid unnecessary electric shock.
- 8.4 Before using, be sure that the wire is not loose and the voltage is normal.
- 8.5 When the appliance is in use, the body, especially the tank, is of high temperature. Never touch it. You may get burnt.

9. Daily checking

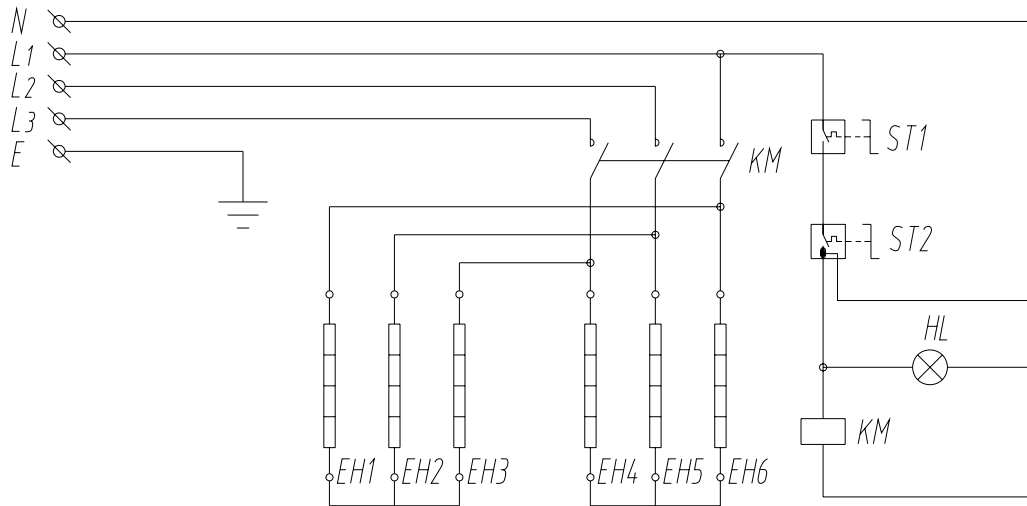
Check the appliance before and after use. Before using, make sure the appliance dose not lean. Be certain that the power cord is not worn out or broken. When in use, make sure no unpleasant smell is present and there is no any unusual noise.

This manual must be read and understood by all persons using or installing this appliance. Contact your local dealer if you have any questions concerning installation, operation or maintenance of this equipment.

IMPORTANT: DO NOT DISCARD THIS MANUAL

This manual is considered to be part of the appliance and is to be given to the owner or manager of the hotel or restaurant, or to the person responsible for training operators of this appliance. It should be retained for future reference. Additional manuals are available from your local dealer.

AC/3N/380V/50Hz/12kW/18.2A



Code	Description	Code	Description
KM	AC contactor	HL	Heating indicator
ST	Thermostat	EH1—EH6	Heating elements
ST	Proportioner		

