

Griddle User Manual

Please read this manual before using.

TT Series Stainless Electric Griddle is designed by advantages of overseas products. They have features of new style, reasonable structure, easy to operate, good warmer result and saving energy. They form a complete producing system with YXD Series Electric Baking Oven, BS Series Pillar Warmer Display Cabinet, EF Series Electric Fryer and HT Series Electric Cooking Oven, with features of easy operation, reasonable distribution and occupy less space. They are equipments for Chinese and Western food restaurant, Karaoke room and fast-food restaurant.

I. Basic parameter

Model	Name	Voltage	Power	Size of vat	Dimension	Note
TT-WE101	Griddle	220V~240V	3KW	550×350	550×430×230	Single temperature controller
TT-WE102	Griddle	220V~240V 380V~415V	4.4KW	728×400	730×500×230	Double temperature controller
TT-WE106	Griddle/Grill	220V~240V 380V~415V	3KW	550×350	550×450×230	Single temperature controller
TT-WE104	Griddle/Grill	220V~240V 380V~415V	4.4KW	728×400	730×500×230	Double temperature controller
TT-WE1283	Griddle	220V~240V	6KW	700×400	760×600×350	Double temperature controller
TT-WE1284	Griddle/Grill	220V~240V	6KW	700×400	760×600×350	Double temperature controller

II. Instruction

Double temperature controllers are besides two sides of the machine and they can be used alone. The left one can control the temperature of the left vat; the right one can control the temperature of the right one.

Shut on the power switch K1, the green indicator is on, at that time electricity reaches to the machine. Rotate the temperature controller clockwise to the red point, at that time the yellow indicator is on and the green indicator is off. The green indicator is on and the electric heating tube works again and the temperature goes up again. It repeats again and again to make sure temperature is constant in the setting range.

According to different food and adjust the needed temperature to get the deal result of making food.

III. Troubleshooting

Trouble	Cause	Resolution
1. Shut on power switch K1, the indicator is not on.	1. Fuse of power switch is burned. 2. The connection of power cord is not well.	1. Replace a suitable fuse. 2. Firm power cord.
2. Yellow indicator is not off. The ascend of temperature cannot be controlled.	1. The connection of indicator is wrong. 2. Temperature controller is out of action.	1. Correct it with right connection. 2. Replace temperature controller.
3. Indicator is not on, but temperature control is normal.	1. The contact of indicator is not well. 2. Indicator is burned.	1. Firm connection. 2. Replace indicator.

IV. Attention for installation

The using voltage of the machine must be coordinated with the supplied voltage.

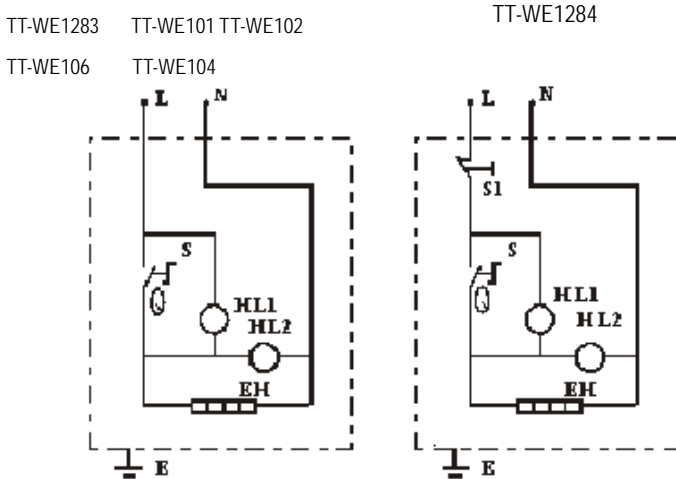
User should install a suitable power switch or air switch.

There is a grounding screw behind this oven. The grounding blot should be connected with more than 2.5square mm copper wire according to safety rules for safety sake.

Before using this product, please check all parts and power supply and ground connection.

The shell of this machine must be grounded well for safety sake!

V. Circuit diagram



S - TEMPERATURE CONTROLLER; S1 - TEMPERATURE LIMITER; EH - HEATING TUBE; HL1 - POWER INDICATOR (GN); HL2 - HEATING INDICATOR (YE); KM - AC CONTACTOR; E - GROUND PROTECTION