

HOT DOG GRILL

User Manual

Please read this manual carefully before using the machine.

Thanks for purchasing and using our Hot Dog Grill. In order to make full use of the function of this product and minimize unnecessary loss and damage, please read the manual carefully and keep it well for future reference.

Warning:

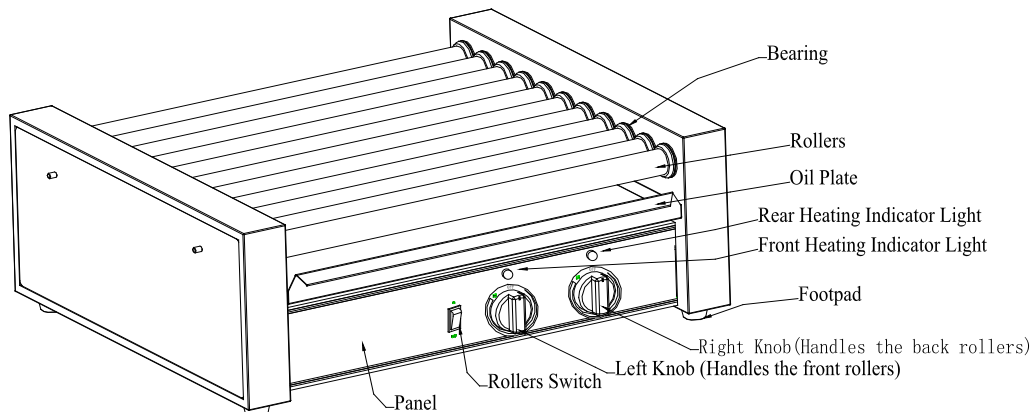
Any refitting and wrong installation, adjustment and maintenance can lead to property loss and casualty. Please ask qualified people to install or service it.

Do not put any flammable liquid, gas or other objects around the product for your safety sake.

1. Brief Introduction

1.1 The hot dog grill has 5 rollers, 7 rollers, 9 rollers, and 11 rollers. Each one is controlled by 2 proportional controllers. One proportional controller controls front part of rollers, and the other one controls rear part of rollers. There is one grid in drip tray. The ready hot dog can be put onto the grid to keep warm. It also can be equipped with a cover to keep hot dogs sanitary. When you purchase this equipment, you can purchase the cover too, or you can select not to purchase it.

1.2 Structure



1.3 Technical parameter

Model	Dimension (mm)	Voltage (V)	Power (W)	Hot dog QTY (pcs)
TT-R4	580x225x222	220-240V,50/60Hz	400	12
TT-R5	580x305x222	220-240V,50/60Hz	560	18
TT-R6	580x385x222	220-240V,50/60Hz	720	24
TT-R7	580x465x222	220-240V,50/60Hz	880	30

2. Transportation and storage

During transportation, the machine should be careful handled and prevent from shaking. The packaged machine should not be stored in open air long. It should be put in a ventilated warehouse without causticity gas. And it should not be put up side down. If it needs to be stored in open air temperately, measurement against raining is needed.

3. Precautions:

- a) The voltage for using this product must be coordinated with the supplied voltage.
- b) The proper power outlet and fuse should be installed near the product and ground connection should be installed according to safety regulation.

- c) The installation of electrical connection and maintenance should be done by professionals or qualified electrician.
- d) The temperature for working environment is at the range from 0 to 35 degree centigrade.

4. Instructions

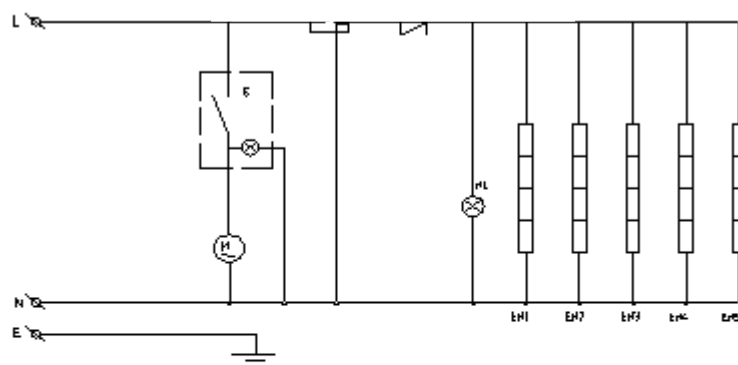
- a) Fix and level the product and add little eating oil at two sides of roller for lubricate and steady rolling.
- b) Switch on power and turn on the "ROTATION" switch and roller rotates.
- c) Broil the sausages: Put certain amount of sausages on the rollers in the light of specific customer needs. Turn the front temperature switch in clockwise direction will switch on the first (3 rollers HD-05S/ 4 rollers HD-07S / 5 rollers HD-09S / 6 rollers HD-11S), other rollers are controlled by the rear temperature switch.
- d) Temperature switch: when the temperature of rollers reaches the set temperature, the Temperature switch will automatically cut off; it also will automatically switch on as the temperature lower than the set temperature. In this way, the Hot Dog Grill maintains certain temperature so as the food be broiled in stable quality. (Suggestion: set the temperature as 1.5 ~2 when broils sausage)
- e) It is not necessary to reheat the broiled sausages and just put them on the rollers (the temperature switch must be off)
- f) Put the broiled sausages on the grid under the rollers that can keep the sausages warm.
- g) Cut off the power when finished the work.

5. Cleaning and Maintenance

- a) Cut off the power when cleaning or maintaining the equipment in case of electric accidents.
- b) To maintain hygiene presentation, please use fabric material to clean the rollers on completion of work. Water washing is forbidden in case of short circuit and other electric accidents.

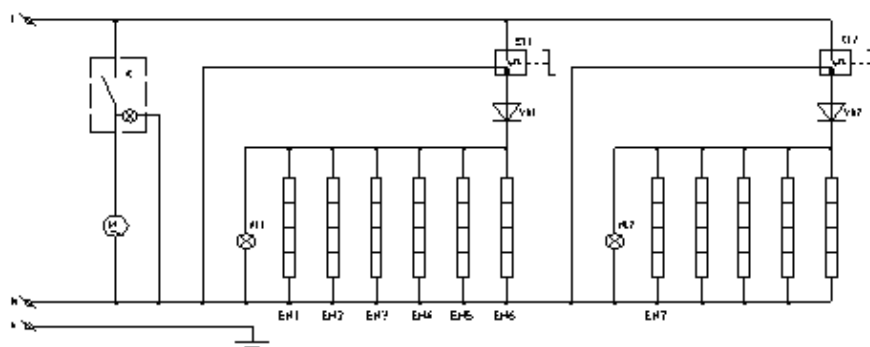
6. Circuit diagram

TT-R4:



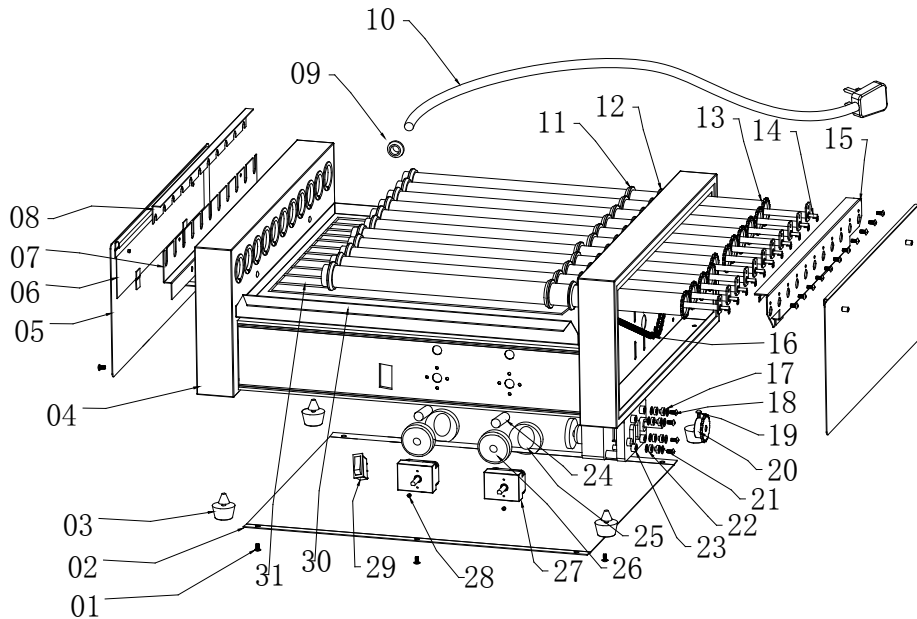
- ST----- Propotional controller
- VD----- Diode
- S----- Switch
- HL----- Light
- M----- Motor
- EH1`EH5----- Heater

TT-R7:



- ST1, ST2----- Propotional controller
- VD1, VD2----- Diode
- S----- Switch
- HL1, HL2----- Light
- M----- Motor
- EH1`EH11----- Heater

7. Exploded View



Bill of Materials TT-R7

S/N	Description	Spec.	QTY	S/N	Description	Spec.	QTY
1	Screw	M4*8	17	18	Screw	M4*16	4
2	Bottom plate	475*408	1	19	Screw	M5*12	1
3	Foot	Rubber ϕ 30*30	4	20	Motor sprocket wheel		1
4	Frame	580*465*225	1	21	Exterior anti-vibrat ion pad	ϕ 16*10	4
5	Side plate	443*183	2	22	Interior anti-vibrati on pad	ϕ 16*5	4
6	Insulation plate	395*75	2	23	Motor		1
7	Left	442*67*12	1	24	Light	Yellow	2
8	Left upper cover plate	442*25*12	1	25	Dial	ϕ 58	2
9	Power cord jacket	plastic	1	26	Knob	ϕ 41	2
10	Power cord		1	27	Proportional controller		2
11	Pipe sleeve	ϕ 38*6.2	22	28	Screw	M4*6	4
12	Plastic sleeve	ϕ 38*4.4	22	29	Switch		1
13	Stainless steel pipe with sprocket wheel	ϕ 29*505	11	30	Oil tray	474*439* 20	1
14	Heater		11	31	Grid	465*424	1
15	Fixing plate for heater	448*73*20	1				
16	Chain		1				

17	Flat washer	φ 16* φ 5	4			
----	-------------	-----------	---	--	--	--

8. Trouble shooting

Troubles	Checks
Roller out of rotation	Whether the power is connected
	Whether the power is on
Roller out of heat	Whether the power is connected
	Whether the power is on
	Whether the temperature is set too low