

# HOT DOG GRILL

# USER MANUAL

Please read this manual carefully before using, and keep this well for future reference.

### A、Parameter

Model	Dimension	Power	Voltage
TT-0165	467x300x385	700W	AC230V

### B、Installation

- Open the package carton, and remove the film.
- Make sure the equipment is on the flat table.
- The using voltage must be according to the supply voltage.
- The user must set the power switch and the fuse.

### C、Operation instruction



1. Check the equipment according to the notice, and use it after makes sure it is right.
2. Add the water to the heating basin; rotate the heating basin to make sure the heating basin and the heating pan completely contact. And the cover and the heating basin completely contact.
3. Press the power switch A, the power supply to the equipment at the same time. Rotate the knob C, the working indicator B is on. According to the needed temperature rotate to the scale. When rotate to HI, it is the baggiest power. If you need heat the bread, press the switch E, the working indicator D on, the heating element is heating, and can heat the bread when it reaches the idea temperature.
4. The hot dog and the bread can be heated at the same time or independently.
5. The net of the equipment can heated the hot dog separately.

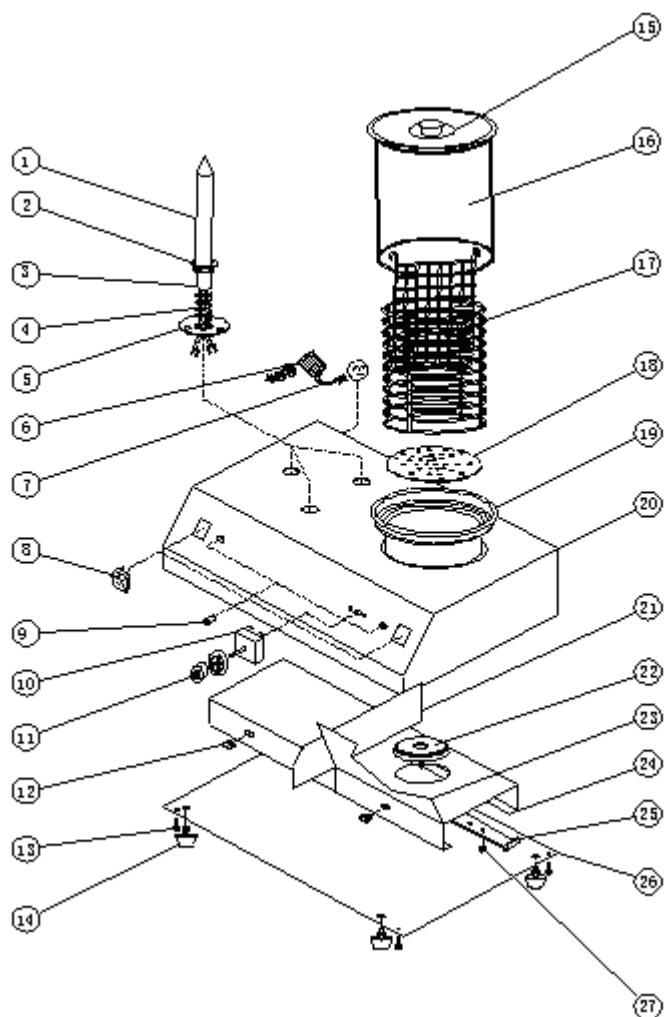
### D. Notice

1. During working, the glass cover surface and the cover is high-temperature area, and avoid the steamer.
2. The installation and the maintenance must be operated by the qualified professional person. The wrong operation may cause the equipment damage and dangerous.
3. Turn off the power after working.

### E. Cleaning and maintenance

1. Before cleaning, cut off the power in case of the accident.
2. Water the cover, glass cover, the net, the tray and the heating basin directly. Don't water the equipment directly in case of the water flow into the equipment. Don't clean it with erode cleaner scratch the equipment.

### F. Spare parts drawing



- 1.Heat stick 2.Gasket 3.Heating element 4. Fix spring 5.Fix base 6.Socket 7.Power cord  
 8.Switch 9.Working indicator 10.Thermostat 11.Thermostat knob and scale 12.Socket  
 13.Screw 14.Feet 15.Cover 16.Glass cover 17.Net 18.Glass inner net 19.Heating basin 20.Shell  
 21.Clapboard 22.Burner 23.Heat insulation board 24. Burner base 25.Burner fixer 26.Bottom board  
 27.Nut