

WAFFLE BAKER USER MANUAL

Please read this manual carefully before using.

I . Technical parameter

Name	1-Head Waffle Baker	2-Head Waffle Baker
Model	TT-E5A	TT-E5B
Voltage	220V	220V
Power	1000W	1000+1000W
Dimension	250×450×300	500×450×300

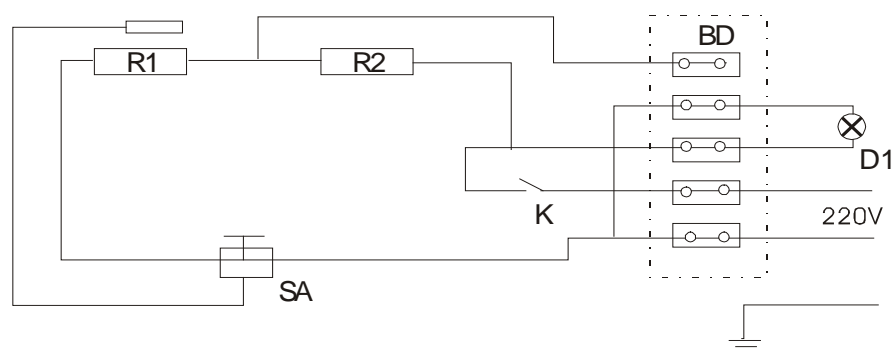
II. Precautions

1. The voltage for using must be coordinated with the supplied voltage.
2. Install a tripodal socket with good ground-connection beside the equipment.
3. The temperature can be adjusted in the range of $25^{\circ}\text{C}\pm 5\%$.
4. There is timer-setting equipment in this appliance. It only shows operating time and has no connection with electric function.

III. Instruction

1. Plug in socket, press power switch then indicator is on, equipment begins to heat. When temperature goes up to 250°C , the equipment stops heating automatically. When temperature lowers 250°C the equipment get through electricity automatically and heats again. It does repeatedly in this way to make sure temperature is constant in the range of 250°C .
2. It needs 12 minutes from pressing power switch to the temperature of oven goes up to 250°C .
3. When temperature of this equipment goes up to 250°C , paint a layer of edible vegetable oil onto mould. Then make pulp, and put them into template, and cover it. Adjust the timer on right side (the range of setting time is 0~5 minute; operator can set time with their own). When time is to the setting one, the oven will give out a sound "Ting" to point out operator that time is up, the production is finished. Then operator can make other food. When food all is finished, operator should cut off electricity.
4. User can make time setting according to the difference of prescription of pulp and luster of food customer likes. Generally, the more time lasts the darker luster will be, whereas, it is not. But time cannot be too short, or food will not be hot and with no luster.
5. Cleaning: This equipment can be washed by wet towel with cleaner, but it cannot be washed by water directly and in water. Or its electric function will be destroyed.

IV. Circuit diagram



- SA—TEMPERATURE CONTROL SWITCH**
- R2—ELECTRIC HEATING TUBE**
- R1—LOW ELECTRIC HEATING TUBE**
- D1—INDICATOR**
- K—POWER SWITCH**
- BD—CONNECTED-SCREW**

V. Troubleshooting

Trouble	Cause	Resolve
Get through power and press switch, indicator is on but not heat	1. Temperature control switch broken 2. One of electric tubes burned	1. Change temperature controller 2. Change broken electric heating tube (there are tow, each is 110V)
Get through power and press switch, indicator is on, temperature rises but it cannot be controlled	Temperature control switch broken	Change temperature control switch
Get through power, heating normally but indicator is not on	Indicator broken	Change indicator
Get through power and press switch, indicator is not on and not heat	Power supply is not normal, not get through power or fuse melt	Check power or change fuse