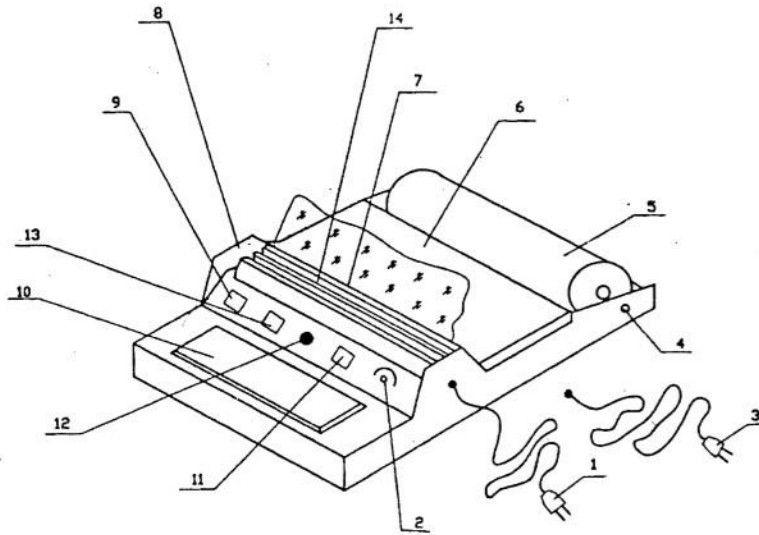


Explosive Drawing TT-A14



1	Power plug	8	Cutter
2	Heating switch and temp controller	9	Power indicator
3	Power wire	10	Heating plate
4	Screw	11	Heating indicator
5	Packing film	12	Fuse
6	Upper cover plate	13	Mains switch
7	Back clamp roller	14	Front clamp roller