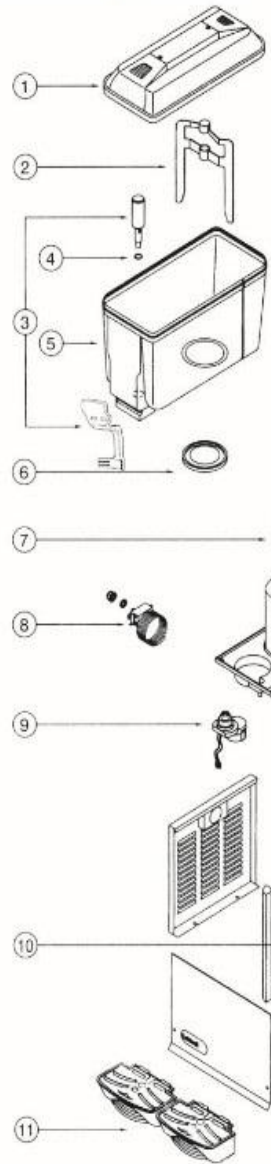
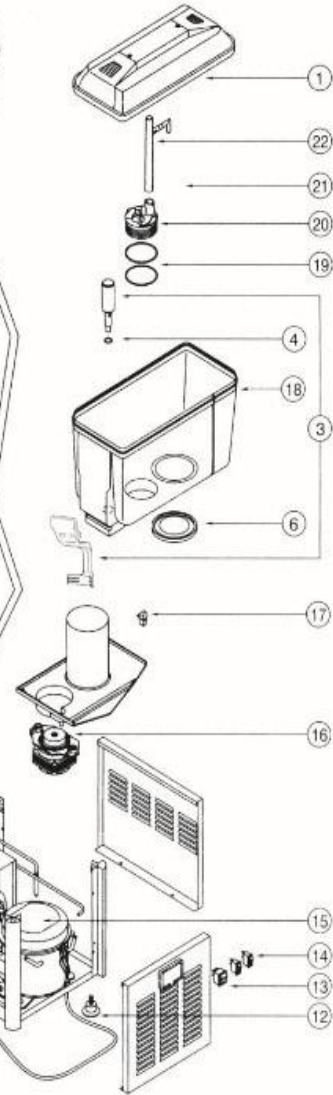


TT-J50A/B/C



TT-J51A/B/C



22	500-022	Pumping Pipe	PCS	1	
21	500-021	Pumping Connector	PCS	1	
20	500-020	Pump	PCS	1	
19	500-019	Gasket for Pumping Motor	PCS	1	
18	500-018	High-density PC Bowl (Pump System)	PCS	1	
17	500-017	Corner Plug	PCS	1	
16	500-016	Pumping Motor	PCS	1	
15	500-015	Compressor	PCS	1	
14	500-014	Switch for Mixing Motor	PCS	1	
13	500-013	Power Switch	PCS	1	
12	500-012	Adjustable Leg	PCS	4	
11	500-011	Water Tray	PCS	1	
10	500-010	Condenser Fan Motor	PCS	1	
9	500-009	Mixing Motor	PCS	1	
8	500-008	Thermostat	PCS	1	
7	500-007	Mixing Rob	PCS	1	
6	500-006	Gasket	PCS	1	
5	500-005	High-density PC Bowl (Paddle System)	PCS	1	
4	500-004	Tap Gasket	PCS	1	
3	500-003	Tap Lever	PCS	1	
2	500-002	Mixing Paddle	PCS	1	
1	500-001	Cover	PCS	1	
No.	Serial Number	Description	Unit	AMT.	Remark
			Weight		
		Material	TWO THOUSAND MACHINERY CO., LTD		
		Projection			
Mark	Signature	Date	Exploded View		
Design	Standardisation	Version			

Times	File Updated No.				TT-J50 & J51
Verify			Page 1		
Craft	Approval				