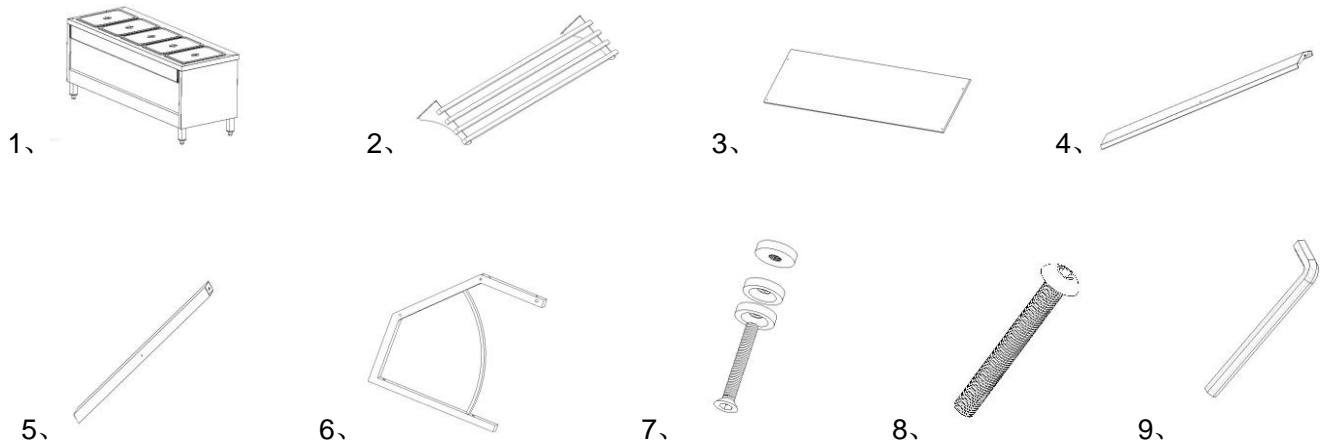


INSTRUCTION FOR BUFFET BAIN MARIE

First:open the package and check whether the parts are complete.



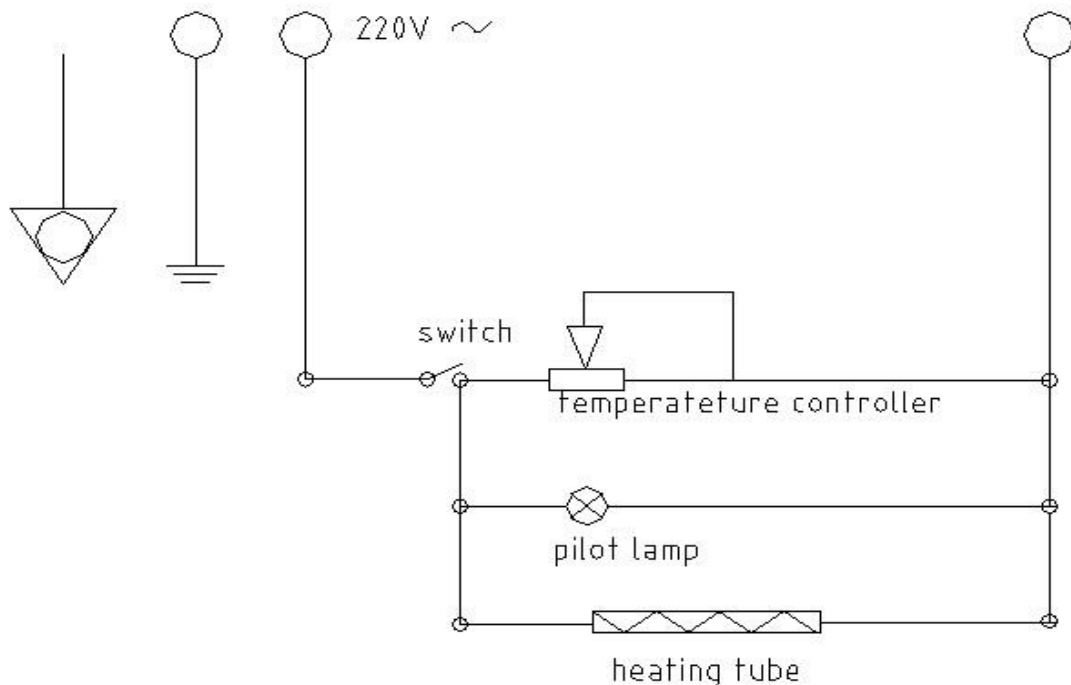
Spare part list: (1)bain marie 1pcs (2)front pipe 1 pcs (3)glass 2 pcs
(4)middle shelf 1 pcs (5)front shelf 1 pcs rear shelf 1pcs
(6)side shelf 1 pcs (7)hex bolt with nut (8)round head hex
bolt 10 pcs (9)allen key 1 pcs

Second:install top shelf as the picture show,pay attention to glass

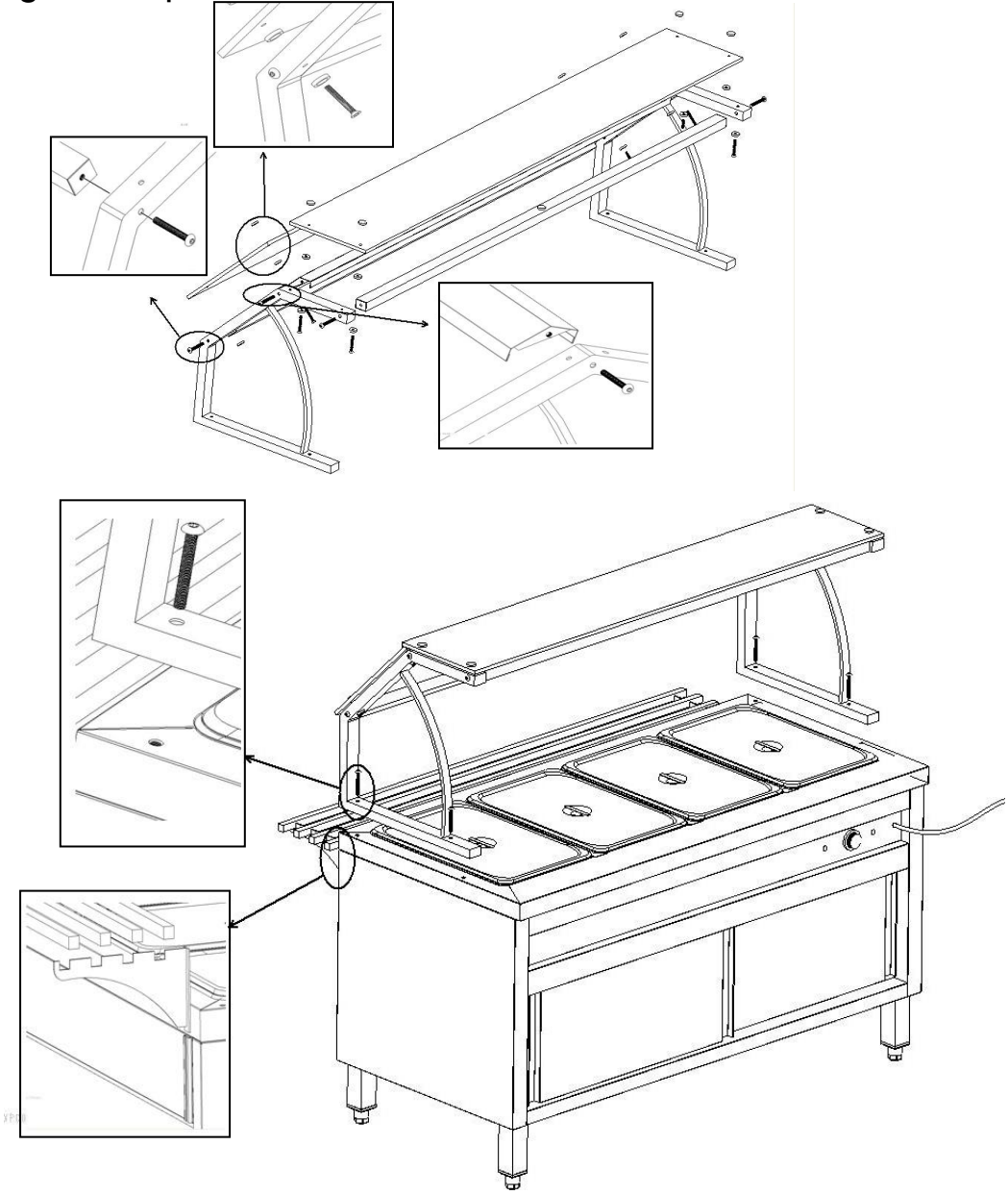
Third:insert front pipe into the specified slot

Fourth:install the top shelf into bain marie,the screw up.

Fifth:adjust on the flat floor



All assembling as the picture show:



All complete as show below:

