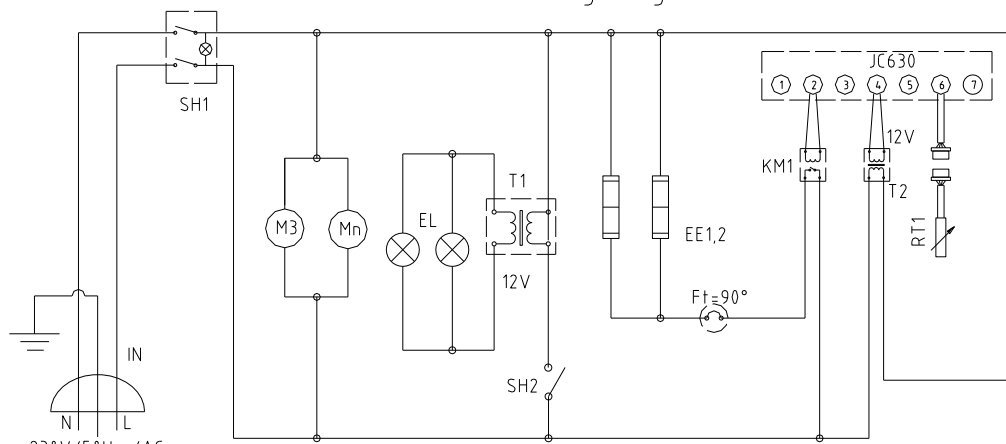


Part Number	BOM number			Description
	TT-MD68A	TT-MD68B	TT-MD68C	
1	A220170007	A220170008	A220170009	Sliding door
2	B120030019	B120030020	B120030021	Back panel
3	A103050036	A103050036	A103050036	Controller board
4	A205011103	A205011103	A205011103	Digital thermostat
5	A205020103	A205020103	A205020103	Switch SC791
6	A205020102	A205020102	A205020102	Power Switch SC767
7	A220010007	A220010008	A220010009	Top iron shelf
8	A220141006	A220141006	A220141006	Right side glass
9	B220031007	B220031008	B220031009	Top Shelf bracket
10	B120100013	B120100014	B120100015	Cover for halogen bulb
11	A206010007	A206010007	A206010007	Halogen bulb
12	A220010010	A220010011	A220010012	Bottom grill
13	B120070025	B120070026	B120070027	Bottom shelf bracket
14	C120200022	C120200022	C120200022	Decoration right panel
15	A205020014	A205020014	A205020014	Overheat protector
16	A204031002	A204031002	A204031002	Evaporator fan motor
17	B120130010	B120130011	B120130012	Evaporator cover
18	A206020001	A206020001	A206020001	Heating element
19	A220152007	A220152008	A220152009	Curved glass
20	A220141005	A220141005	A220141005	Left side glass
21	C120390001	C120390002	C120390003	Decoration front panel
22	C120200021	C120200021	C120200021	Decoration left panel
22-A	C120200022	C120200022	C120200022	Decoration right panel
23	C220020007	C220020008	C220020009	Bottom panel

SIDE VIEW	Model	TT-MD68A	TT-MD68B	TT-MD68C
	Dimensions (cm)	90*54*79	120*54*79	150*54*79
	Capacity (Litres)	115L	155L	200L
	Shelves	2	2	2
	Watts	765W	805W	845W
	Net Weight (Kgs)	80KGS	95KGS	110KGS
	Gross Weight (Kgs)	90KGS	105KGS	120KGS
	Packing Size(cm)	L98*W58*H93	L128*W58*H93	L158*W58*H93
	Q' ty/20'GP	40	26	24
	Q' ty/40'GP	86	56	52
	Q' ty/40'HQ	86	56	52

Electric Wiring Diagram



230V/50Hz /AC
110V/60Hz /ACI

SH1 POWER SWITCH
SH2 LIGHT SWITCH
EE1,2 HEATING TUBE
KM1 RELAY

JC630 THERMOSTAT
T1 TRANSFORMER OF LIGHT
EL LIGHT

RT1 SENSOR OF CABINET TEMP.
T2 TRANSFORMER OF THERMOSTAT
M3-Mn EVAPORATOR MOTOR FAN