

# **TT-I175 Ice crusher User Manual**

## Operating Manual

### Contents

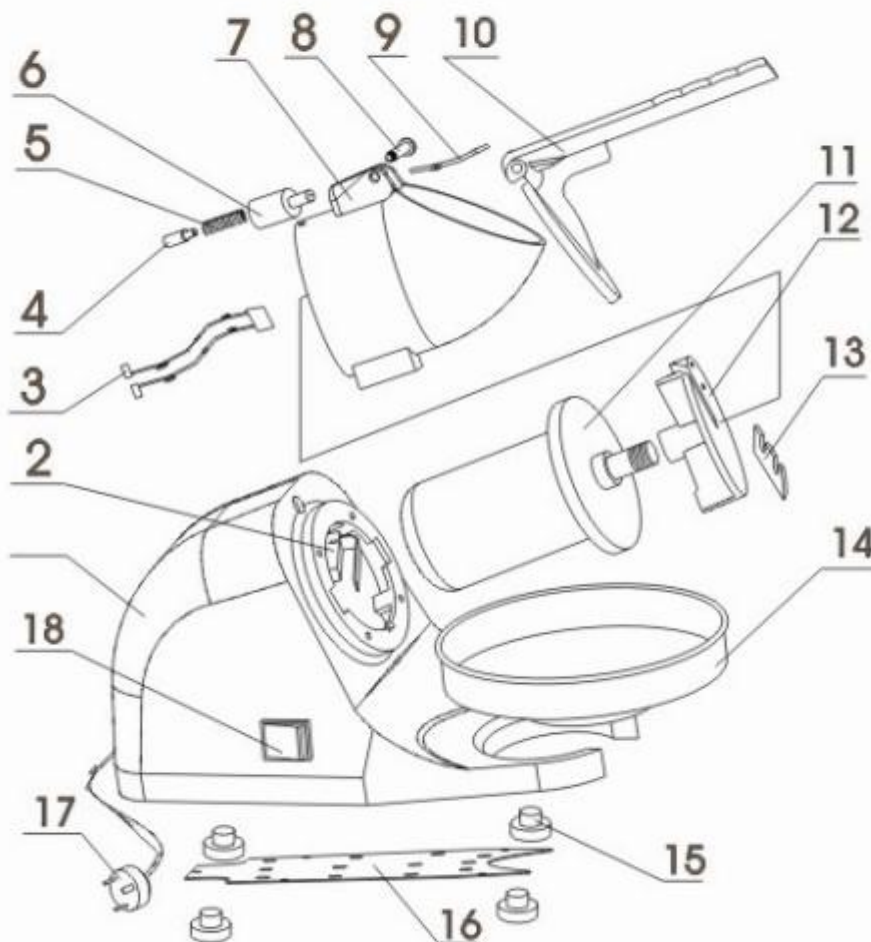
1. Machine Partly Illustration
2. Parts List
3. Installation
4. Operating Guide
5. Safety Caution
6. Maintenance
7. Trouble and Solution
8. Technical Parameters
9. Circuit Diagram

Note: Please save the manual carefully for referring.  
The machine is subject to Improve without notice.

Welcome you choose TT-I175 Ice Crusher. It is new type Ice Crusher of our developing through synthesizing advantages of many similar products. It is beautiful appearance, easy for operation, good seals, stable moment and reliability. When handle raised, motor of Ice Crusher will turn off automatically and stop turning. It is an excellent helper to break ice.

## 1. Machine Partly Illustration

### I. Machine Partly Illustration



## 2. Parts List

Items	Part Number	Description	Remark
1	TT-I175-001	Base Plane	

2		Power-down Switch	Outside Buy
3		AC/DC Converter	
4	TT-I175-010	Top Shaft	
5	TT-I175-011	Spring	
6	TT-I175-002	Orientation Cover	
7	TT-I175-003	Ice-breaking Container	
8	TT-I175-012	Connecting Bolt	
9		Steel Wire Rope	
10	TT-I175-006	Handle	Outside Buy1.7
11		Motor	
12	TT-I175-004	Tool Carrier	
13	TT-I175-005	Blade	
14	TT-I175-008	Ice-broken Container	
15	TT-I175-009	Bracket	
16	TT-I175-007	Motherboard	
17	3*0.75MM2L=1850MM	Electrical Wire	
18	RKI-01 16A 250V	Power Switch	

### 3. Installation



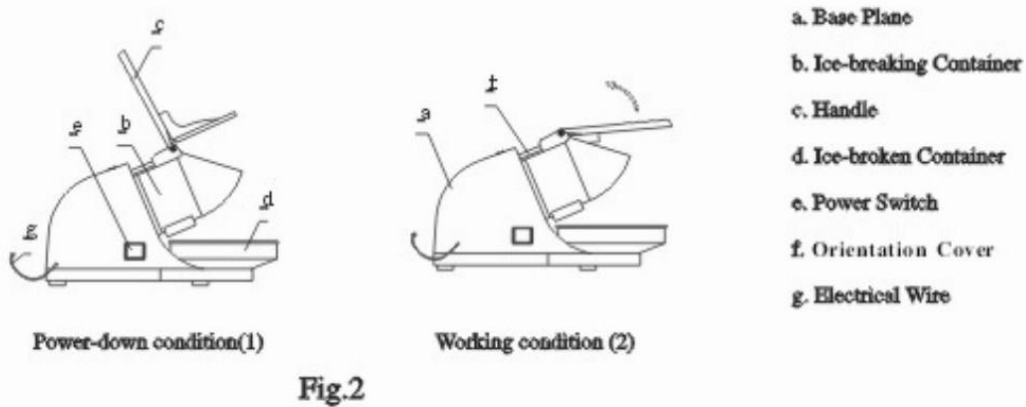
a. Ice Crusher  
b. Worktable

- 3.1 Set icebreaker on horizontal and stable worktable (shown in Fig.)
- 3.2 Ice Crusher must use the separate electrical socket with safeguard. Rated Voltage 220V, and Frequency 50 Hz. The electrical socket must have

ground wire. And the resistance is less than 0.1 ohm.

#### 4. Operating Guide

Operating steps are shown in Fig. 2 .



Operating steps are shown in Fig.2.

4.1 Raise handle (shown in Fig.2 (1)).

4.2 Connect electrical wire (g) to an electrical socket, and then turn on power switch (e). The machine is power-down condition this moment.

4.3 Put ice-broken container (d) to the ice's outlet under ice-breaking container (b), and then put some ice in ice-breaking container (Note: ensure ice not to overbrim ice-breaking container).

4.4 Hold the top of handle and push it toward ice in ice-breaking container. When handle pushed to certain angle, power-down switch is turned on, machine begins to work, and tool carrier begins to rotate, thus ices are cut into small ices and drop into ice-broken container from the outlet under ice-breaking container (shown in Fig.2 (2)).

4.5 After finished, raise handle in a counter-clockwise direction, motor of icebreaker will turn off automatically and stop turning this moment (shown in Fig.2(1)).

#### 5. Safety Caution

5.1 When use machine normally, blade must be clear, otherwise, tool carrier may be blocked, that causes motor burnt out. If tool carrier is blocked, handle must be raised immediately.

5.2 Hands do not contact ice-breaking container (b) and tool carrier while the machine running.

5.3 Do not work continuously for more than 15 minutes.

5.4 Do not wash the machine. Do not put it in water either.

5.5 If the machine is broken or under abnormal conditions, stop machine immediately.

5.6 Under-age persons keep away from the machine.

## 6. Maintenance

6.1 After finished, turn off power switch and then pull up the plug.

6.2 The machine is food machinery, so wash clear the parts that contact with ices, and keep it in dry and ventilated place every day after working (Note: do not use cleaning agent that may do persons an injury).

6.3 Please contact with supplier for technicians to maintain the machine if have machinery or circuit troubles.

## 7. Trouble and Solution

Trouble	Cause	Solution
Turn on , but do not work	No power source	Check power source plug and socket
	Motor or capacitance trouble	Contact with admmissive supplier
Stop suddenly while working	<ol style="list-style-type: none"> <li>1. Voltage undulate too large.</li> <li>2. Power-down switch burnt out.</li> <li>3. Continuous working time is too long</li> </ol>	<ol style="list-style-type: none"> <li>1. Check power switch.</li> <li>2. Change a new power-down switch.</li> <li>3. Waiting a few minutes then start again.</li> </ol>
Do not break ices	Blades on the tool carrier do not be installed to correct place.	Loosen bolts connecting tool carrier and motor by socket wrench, take out tool carrier, loosen bolt fixing blade, and then adjust distance between blade and

		cutting edge to standard distance (1.2mm). If blade blunt, mill blade or change a new blade. And then install tool carrier to correct place.
--	--	--

### 8. Technical Parameters

Description	Unit	Parameter
Power Rating	W	300
Rated Frequency	Hz	50
Rated Voltage	V	220
Diameter of Tool Carrier	Mm	100
Production Efficiency	Kg/min	2
Net weight	kg	12.75

### 9. Circuit Diagram

