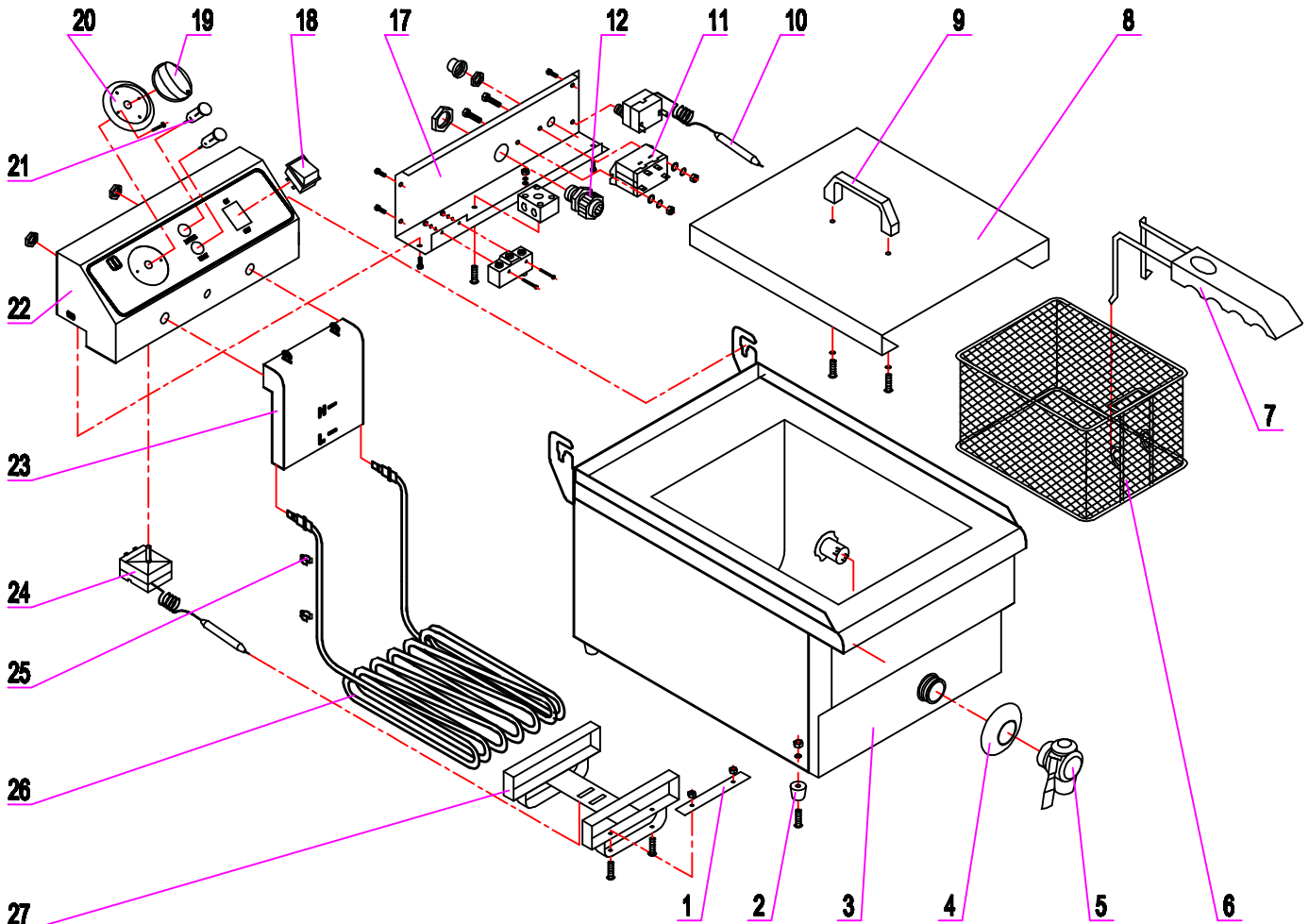


MACHINE ILLUSTRATION



PARTS LIST

IIIUS.	Part No.	Name of part	AMT.
1	1	Fixing bar	1
2		Socle	4
3	2	Fryer body	1
4		Oil valve casing	1
5		Oil Valve	1
6	3	Sieve	1
7		Sieve handle	1
8	4	Cover	1
9		Cover handle	1
10		Limit temperature	1
11		Power relay	1
12		Cable sheath	1
13		Connection seating	1

14		Safe switch	1
15	5	Filter	1
16		Heating indicator	1
17	6	Back lid of the box	1
18		Power switch	1
19		Thermostat button	1
20		Thermostat button seating	1
21		Power indicator	1
22	7	Electrical box	1
23	8	Oil gauge	1
24		Temperature controller	1
25	9	Clip	1
26	10	Electric heating pipe	1
27	11	Shelf of the pipe	1

TECHNICAL SPECIFICATIONS

Model	TT-WE1254 TT-WE1255
Operating power supply	~220V,50HZ
Input Power(kw)	6
Capacity(L)	16
Capacity of pouring into oil	10
Dimensine(mm)	340X520X365
Net Weight (kg)	7.5

