

USER MANUAL



ICEC CREAM SHOWCASE

SERVE SINCE 2000

TWOTHOUSAND

WHOLESALE SECURE COMMERCIAL KITCHEN EQUIPMENT FROM CHINA

TT-SP219 SERIES

TWOTHOUSAND MACHINERY CO., LTD



THANK YOU FOR USING THE SHOW CUPBOARD SERIES OF ICE CREAM. IN ORDER TO HELP YOU TO USE THE PRODUCTS IN THE RIGHT WAY AND OUR PRODUCTS CAN SERVICE YOU BETTER, AT THE SAME TIME, TO KEEP THE BEST USING EFFICIENCY AND THE LIFE OF THE PRODUCTS, PLEASE READ THIS MANUAL BOOK AND CHECK THE ACCESSORIES.

1. INTRODUCTION:

Our products adopt the newest design, and use the best technical in the world, and arrange the designation, production and checking strictly with the Country Standard GB4706.13. We use the famous import brand of compressor, hermetic and low voice, the panel use the high heat keeping and environment protection material (Several more phenyl methyl isocyanate and Polyurethane); hollow glass with the defog device, they can approach the best showing in the humidification environment; the series adopt the advanced design of cooling system, the temperature can be decline quickly and of relatively high temperature, they are the best choice of hotel, supermarket, coffee shop and other place for entertainments.

The products are in the best working condition when they work in the around temperature below 32°C, when the temperature is more than 38°C, it is easy to cause the Mechanical failure.

2. PICTURES:



TT-SP219 Series

3. PRECAUTIONS FOR INSTALLING

- The machine should be put in ventilated, dark and dry space. Keep it away from heater and sun shine. Keep the back of the machine from the wall at least 100 mm, the two sides should keep from the wall at least 30 mm.
- Put the machine on the flat and strong floor to avoid any shake and noise when open the machine

4. PRECAUTIONS FOR SAFETY

- Charge of the display is big, separated plugs at least 16A is needed
- Do not touch the plugs and pins by wet hand to avoid electric shock
- Do not put any inflammable goods into the cabinet, such as petrol, LPG gas, thinner

5. PRECAUTIONS FOR USE

- The machine should be used in appropriate voltage, too high and too low voltage may bring problems of the machine. In some unsteady voltage area, a power supply manostat at least 2000w is needed (in some special model, the manostat should be different), in order to protect the compressor and the blower.
- When pull out the plug, please wait for 5 minutes before you insert it again in order to avoid problem of the compressor
- The goods on the shelving should be well-proportioned, each shelving loaded cannot exceed 10 KGS, in order to get better chilling.
- When the power is on, do not wash the outside and inside of the machine.
- When stop using the machine, turn off the machine, then clean the machine. If the machine is not used for a long time, please check the circuitry first before use it again, do not disassemble the machine without sufficient understanding of the machine
- Do not convert or make it accumbent when transport and unload the machine, avoid any shake or heavy treated in order to protect the machine
- Do not convert or make it accumbent when transport and unload the machine, avoid any shake or heavy treated in order to protect the machine



- The goods inside the refrigerator should be packed in environmental friend PVC film
- The goods cannot be put in the refrigerator for a long time, otherwise it will lose its greenness moisture.
- Do not open the door frequently in order to save energy.
- Do not turn on the machine when the condenser fan is damaged.
- Connect the power, press “ON”, the machine is working, the digital shows the temperature of the inside cabinet

6. TEMPERATURE CONTROL

We use intelligent micro-computer temperature control, temperature is adjusted when we finish the machine, please ask professional when it is needed to adjust.

7. MALFUNCTION PROCESSING METHOD

When fridge occurs malfunction, please check as following requirement. After checking, if the fridge still cannot work, please cut off power source, and then get in touch with the distribution store or appointed service shop or our company bringing with products model, maintenance card, invoice and detailed description of the malfunction.

Malfunction phenomenon	Malfunction cause	Processing method
Refrigeration unit do not work or work abnormally after insert power plug	<ul style="list-style-type: none"> ● Power plug has been pulled out ● Intelligent micro-computer temperature control stops ● Power cut ● Electrical power wire is loose or bad contact of the plug ● Voltage is not steady ● Insure tube loose or burn out 	<ul style="list-style-type: none"> ● Insert the power plug ● Adjust micro-computer temperature control ● Use the fridge when having the electricity ● Change or repair electrical outlet ● Install a manostat ● Change or adjust insure tube



<p>Compressor works too long and does not stop or bad refrigeration</p>	<ul style="list-style-type: none"> ● Evaporation fan cooler or condensing cooler do not work ● Heat exchanger radiator is walled up ● Set the temperature on a high side ● Foodstuffs brocks the air entrance ● Sun shines direct to the cabinet ● Open the door frequently ● Not enough space for the cabinet ● Refrigerant leak 	<ul style="list-style-type: none"> ● Examine the electro circuit contact capability ● Clean the heat exchanger ● Set conformable temperature ● Withdraw the foodstuffs which brocks the air entrance ● Withdraw the cabinet ● Do not open too frequently ● Leave enough space as to the requirement ● Get in touch with professional maintenance man or supplier
<p>Light does not work</p>	<ul style="list-style-type: none"> ● Light is broken ● Electrical source contacts badly 	<ul style="list-style-type: none"> ● Contact professional maintenance man and change the light ● Contact professional maintenance man to repair or change it
<p>Too much noise while working</p>	<ul style="list-style-type: none"> ● fan cooler fixed screw loose ● Legs of the cabinet do not on the same level 	<ul style="list-style-type: none"> ● Screw it ● Adjust the legs of the cabinet to be on the same level



8. MAINTENANCE

- Please open the louver to clear the dust of condenser, fan cooler, compressor etc. every three months. Too much dust will affect the refrigeration ability and shorten life of the compressor, also will increase the coulometer.
- Usually clean the fridge with neutral cleaner or humid cloth, and then dry with a desiccate cloth
- Regularly check electrical power wire, if it's broken, please contact appointed maintenance store and change in time.
- If there is still any question, please get in touch with distribution store or our company

9. ACCESSORIES:

NAME	AMOUNT	REMARK
Operation instructions	1	
Guarantee card	1	
Secure tube	1	20A
Measure up certificate	1	

10. GUARANTEE AND AFTER SALES SERVICE

- Please keep the buying invoice together with the guarantee card with the details of the date of buying, the place of buying and the invoice number. We can offer one year's guarantee if you operate the product according to the manual and do not disassemble it. But if the wrong operation or the broken by people, or do not following the manual, we do not offer the guarantee of free.
- Maintenance
- If the showcase need to be repair, please cut off the power and get in touch with the distribution store or the store of our company at your end.

11. SPECIAL NOTICE

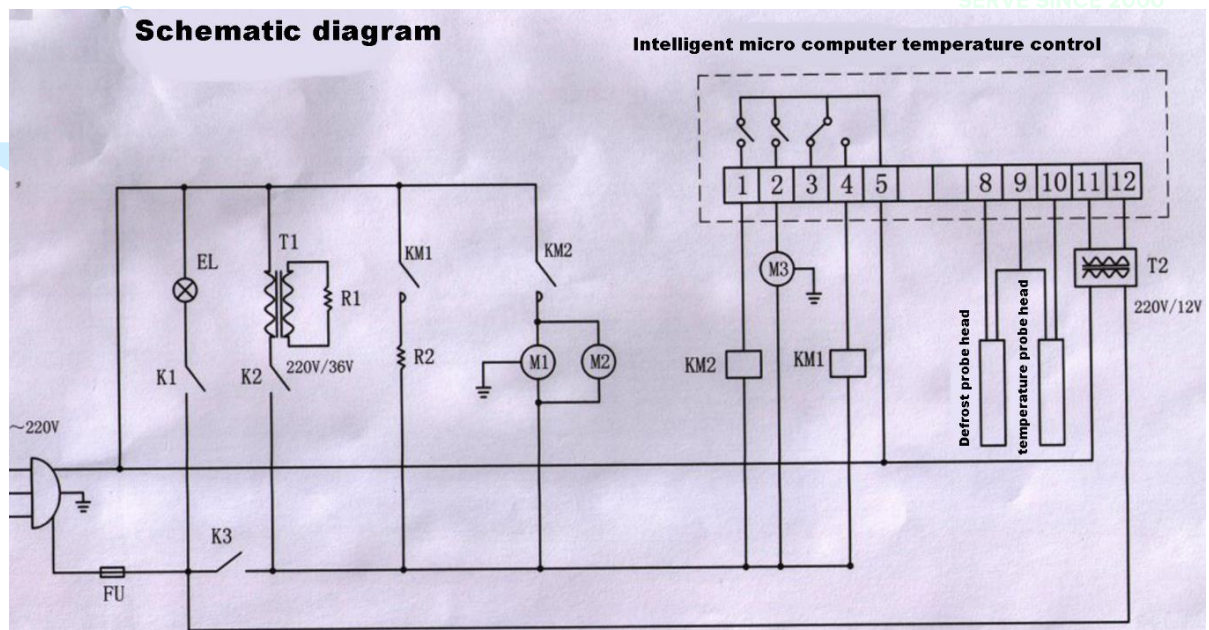
Because of the renewing of the products' model and type, we have the right of changeable for the supply area, assemble and the technical range, the customers can not advance claim according to the specification and the pictures in the manual.



12. SPECIFICATION AND TECHNICAL PARAMETER

-22°C~-16°C	ASPERA	R404a	220V/50Hz	CE
MODEL	TT-SP219A	TT-SP219B	TT-SP219C	
PAN	1/3×12 GN PAN OR 1/4×12 GN PAN	1/3×16 GN PAN OR 1/4×16 GN PAN	1/3×20 GN PAN OR 1/4×20 GN PAN	
CAPACITY	380L	480L	580L	
COULOMETER	7.2 KWH/24H	8.1 KWH/24H	11 KWH/24H	
SIZE	1200×1130×1280 MM	1500×1130×1280 MM	1800×1130×1280 MM	
POWER	1000 W	1137 W	1516 W	

13. SCHEMATIC DIAGRAM





Sign	Name
R1	Front circular arc glass heater
R2	Defrost heater
T1	Front circular arc heater transformer
T2	Computer temperature control transformer
EL	light

Sign	Name
K1 、 K2、 K3	Switch
M1	Compressor
M2	Condensing cooler
M3	Evaporation cooler
FU	Easily melt implement
KM1 、 KM2	Contactors

CONTACT US:

ADDRESS: NO. 18-105 HUAGANG GARDEN, ZHONGSHAN AVENUE, GUANGZHOU,
GUANGDONG, CHINA

PHONE: 86-20-38768241

FAX: 86-20-38769376

WEBSITE: WWW.TWOTHOUSAND.COM