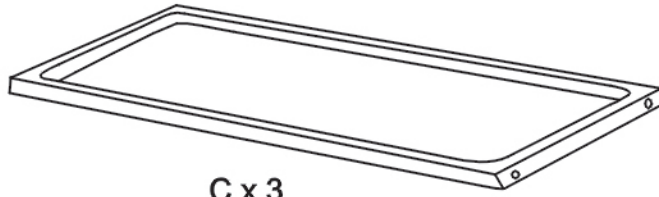


# Parts list



A x 12



C x 3



F x 2



B x 4

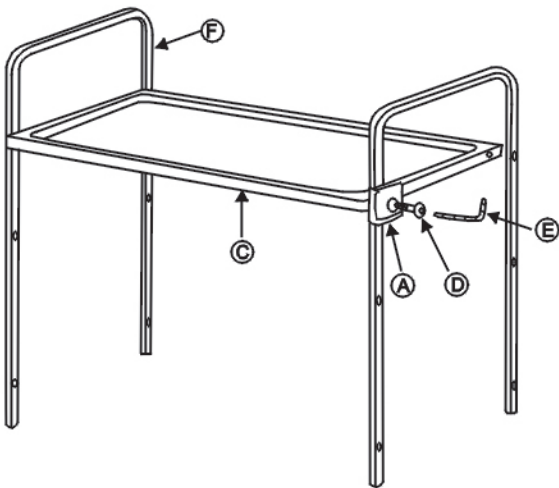


D x 12

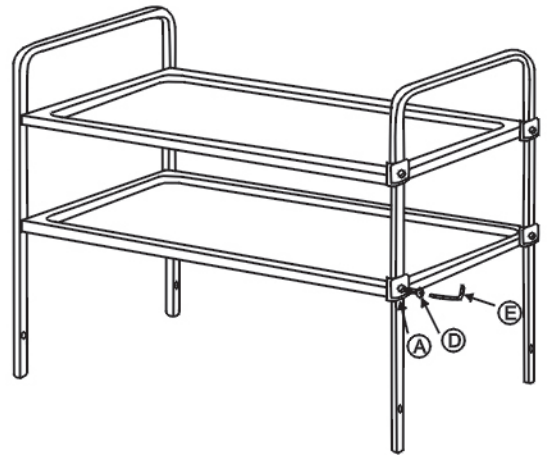


E x 1

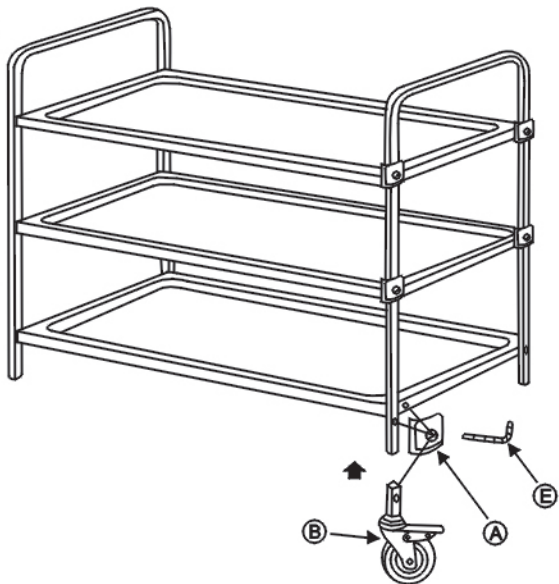
1



2



3



4

