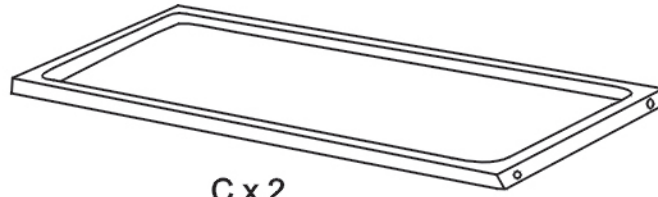


Parts list



A x 8



C x 2



F x 2



B x 4

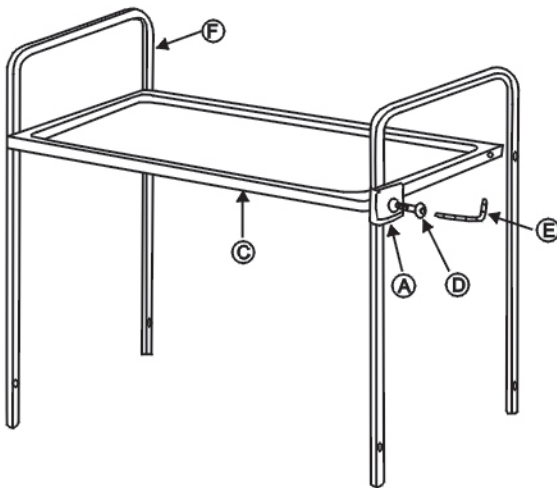


D x 8

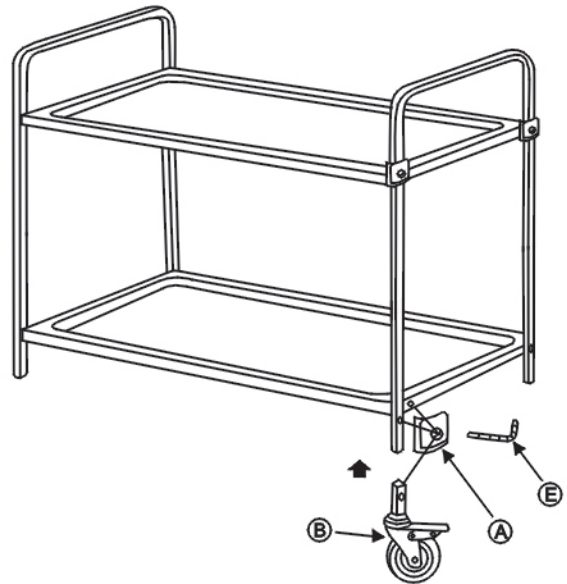


E x 1

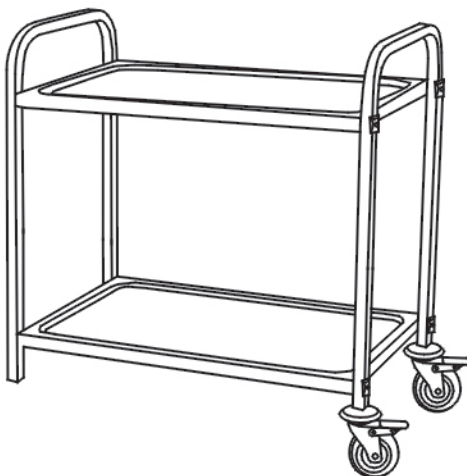
1



2



3



4

