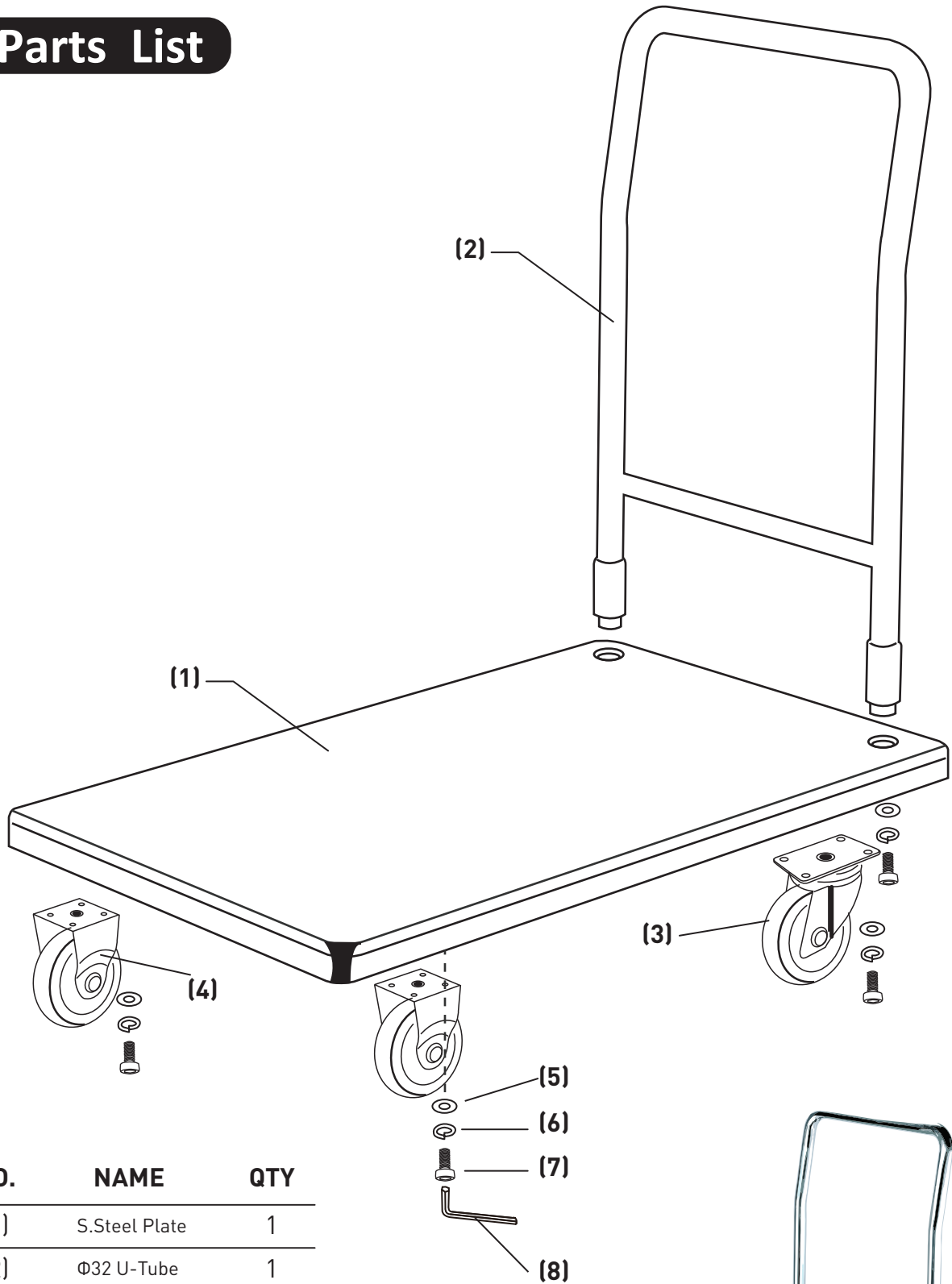


Parts List



NO.	NAME	QTY
(1)	S.Steel Plate	1
(2)	Φ32 U-Tube	1
(3)	Φ100 Pivoting Wheel	2
(4)	Φ100 Fixed Wheel	2
(5)	M8 Washer-1	18
(6)	M8 Washer-2	18
(7)	Bolt M8 x 25	18
(8)	Allen key	1

